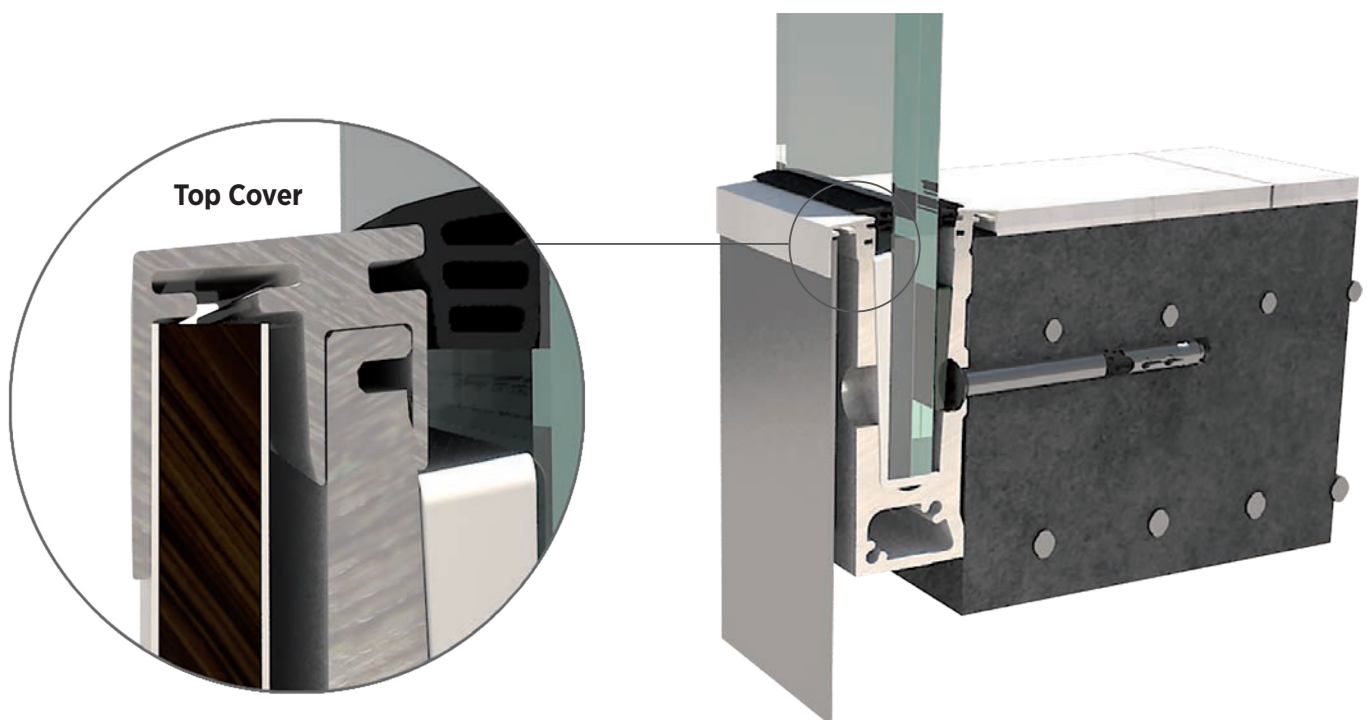
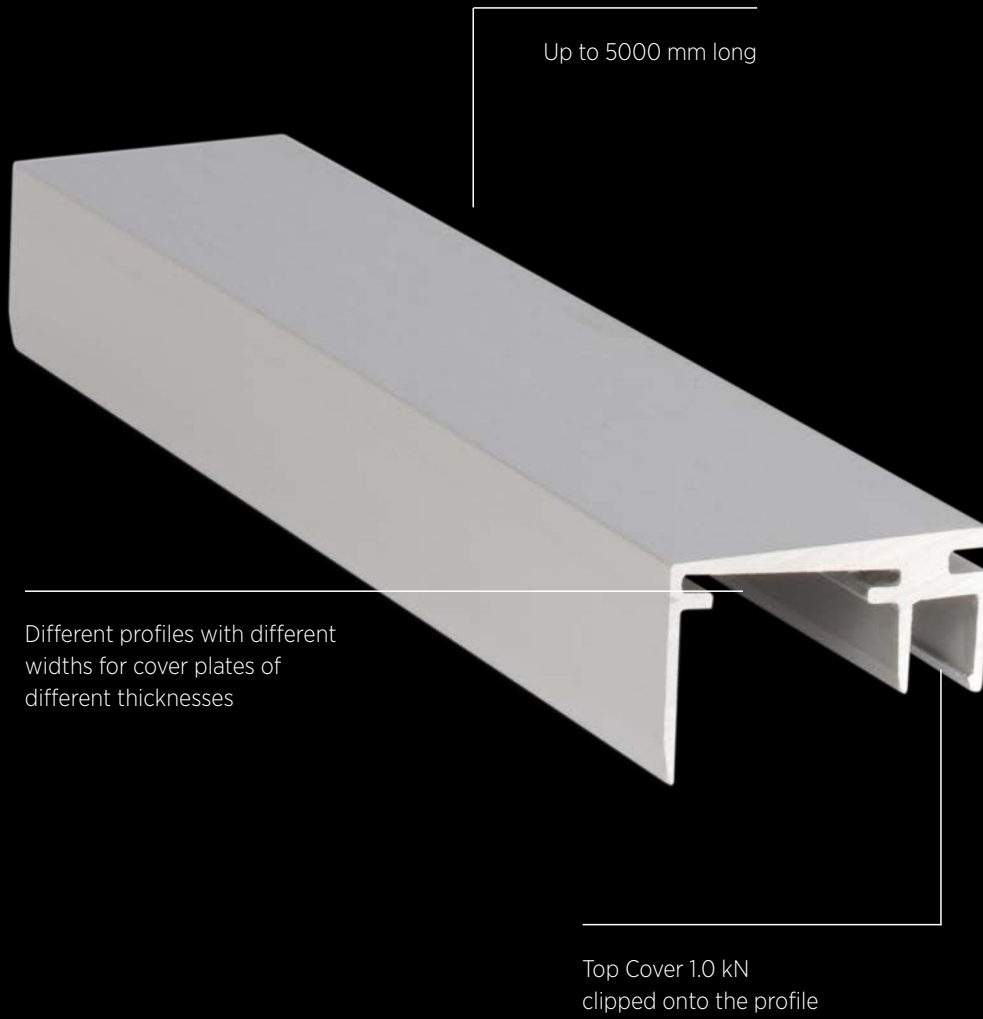


# TOP COVER AND FLOOR CONNECT

## The Top Cover Profiles.

The application versatility of all-glass balustrades in diverse construction projects almost equals the variety of the projects themselves. We have developed the Top Cover Profile for a seamless connection to your individual project. This profile can simply be clipped onto all **ONLEVEL** all-glass balustrade profiles and can be used for an almost infinite range of connections. The costs involved are reduced and possible special applications for the connection to your facade or your floor become standardised.





Up to 5000 mm long

Different profiles with different widths for cover plates of different thicknesses

Top Cover 1.0 kN  
clipped onto the profile

# TOP COVER 0.74 KN

## 0.74 kN Top Cover, 3 mm



| Width 3 mm  
| 0.74 kN  
| e.g. for steel sheets  
| Sales unit: 1 piece



Model 8010	Mill finish	Plain aluminium	RAL coloured
Length	Art. no.	Art. no.	Art. no.
5000	90.8010.035.10	90.8010.035.11	90.8010.035.13/16/18

## 0.74 kN Top Cover, 10 mm



| Width 10 mm  
| 0.74 kN  
| e.g. for glass  
| Sales unit: 1 piece



Model 8010	Mill finish	Plain aluminium	RAL coloured
Length	Art. no.	Art. no.	Art. no.
5000	90.8010.105.10	90.8010.105.11	90.8010.105.13/16/18

## 0.74 kN Top Cover, 15 mm



| Width 15 mm  
| 0.74 kN  
| e.g. Rigips plasterboard or Trespa panels  
| Sales unit: 1 piece



Model 8010	Mill finish	Plain aluminium	RAL coloured
Length	Art. no.	Art. no.	Art. no.
5000	90.8010.155.10	90.8010.155.11	90.8010.155.13/16/18

## 0.74 kN Top Cover, 20 mm



| Width 20 mm  
| 0.74 kN  
| e.g. for wood  
| Sales unit: 1 piece



Model 8010	Mill finish	Plain aluminium	RAL coloured
Length	Art. no.	Art. no.	Art. no.
5000	90.8010.205.10	90.8010.205.11	90.8010.205.13/16/18

# TOP COVER 3.0 KN

## 0.74 kN Top Cover, 120 mm



- | Width 120 mm
- | 0.74 kN
- | e.g. for clinker or stone
- | Sales unit: 1 piece



Model 8011	Plain aluminium	RAL coloured
Length	Art. no.	Art. no.
5000	90.8011.205.11	90.8011.205.13/16/18

## 3.0 kN Top Cover, 3 mm



- | Width 3 mm
- | 3.0 kN, and for the 6020 and 6021 profiles
- | Sales unit: 1 piece



Model 8030	Plain aluminium	RAL coloured
Length	Art. no.	Art. no.
5000	90.8030.035.11	90.8030.035.13/16/18

## 3.0 kN Top Cover, 10 mm



- | Width 10 mm
- | 3.0 kN, and for the 6020 and 6021 profiles
- | Sales unit: 1 piece



Model 8030	Plain aluminium	RAL coloured
Length	Art. no.	Art. no.
5000	90.8030.105.11	90.8030.105.13/16/18

## 3.0 kN Top Cover, 20 mm



- | Width 20 mm
- | 3.0 kN, and for the 6020 and 6021 profiles
- | Sales unit: 1 piece



Model 8030	Plain aluminium	RAL coloured
Length	Art. no.	Art. no.
5000	90.8030.205.11	90.8030.205.13/16/18

# FLOOR CONNECT 3.0KN

## 0.74 kN Floor Connect



| Width 20 mm  
| 0.74 kN  
| Sales unit: 1 piece



Model 8110	Plain aluminium	RAL coloured
Length	Art. no.	Art. no.
5000	90.8110.205.11	90.8110.205.13/16/18

## 3.0 kN Floor Connect



| Width 20 mm  
| Sales unit: 1 piece



Model 8130	Mill finish	Plain aluminium	RAL coloured
Length	Art. no.	Art. no.	Art. no.
5000	90.8130.205.10	90.8130.205.11	90.8130.205.13/16/18

