



Model 6010 | 6030

0.74KN AND 3.0KN TOP MOUNT

- | Quick and simple mounting
- | Different finishes
- | For glass thicknesses between 12 - 31.52 mm
- | Drainage holes
- | Private, commercial and public areas

regal

BALUSTRADES

ONLEVEL distributed by:

TL-6010

0.74 kN Top Mount

The Mother of Profiles.

The TL-6010 U-profile is not only cost-effective. It is actually the mother of all profiles, or even better: It is the hidden pearl among profiles. The TL-6010 U-profile is completely invisible and in combination with a structural connection profile, its application versatility increases considerably.

As a matter of fact, the profile is suited both for interior and exterior applications. It can withstand a linear load of more 0.74 kN and is appropriate for glass thicknesses between 12 mm and 21.52 mm.

Essential Features

- | Slimline, elegant design and low-maintenance
- | ONLEVEL FLEXFIT Glass Adjustment Tool
- | Top Cover (optional)
- | For glass thicknesses between 12 - 21.52 mm

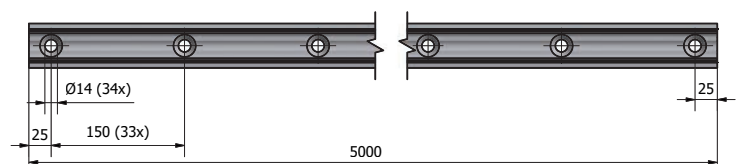
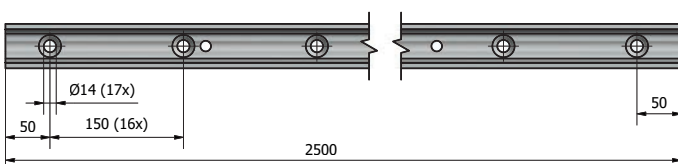
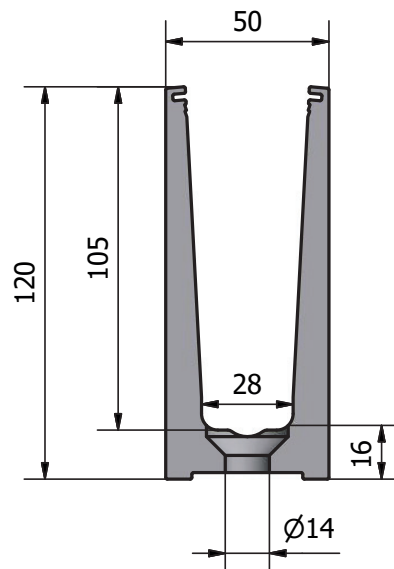
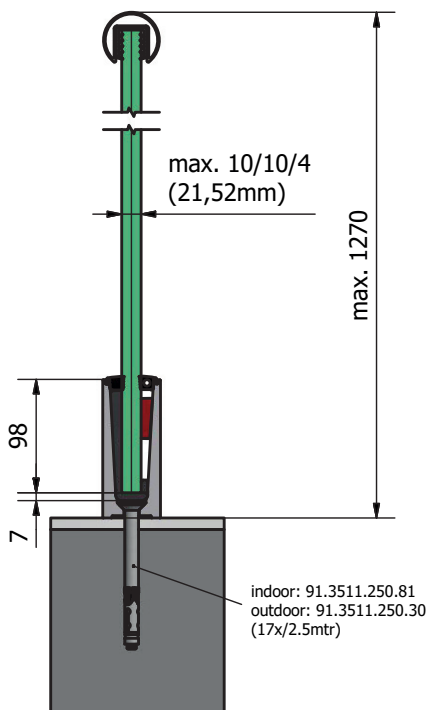


bimobject® **CAD** IN EVERY FORMAT

TESTED according to **BS6180**

EN1090-1
EN1090-3
EXC 3

riba
product
selector





Unlimited application
versatility

Ideal for concealed
installation



Top mount



TL-6010 | 0.74 KN TOP MOUNT

Glass profile



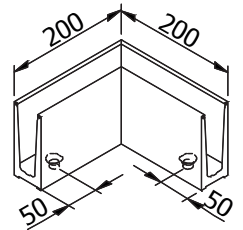
| Height: 120 mm
| Width: 50 mm
| Sales unit: 1 piece

Model 6010	Mill finish	Plain aluminium	RAL coloured
Length	Art. no.	Art. no.	Art. no.
2500	-	10.6010.002.11	-
5000	10.6010.005.10	10.6010.005.11	10.6010.005.13/16/18

Inside corner / outside corner 90°



| Side length inside: 150 mm
| Side length outside: 200 mm
| Sales unit: 1 piece



Model 6010	Mill finish	Plain aluminium	RAL coloured
	Art. no.	Art. no.	Art. no.
	10.6010.390.10	10.6010.390.11	10.6010.390.13/16/18

End cap, left/right



| For use on the left and right
| Sales unit: 1 piece

Model 6010	Mill finish	Plain aluminium	RAL coloured
Application	Art. no.	Art. no.	Art. no.
left/right	10.6010.490.10	10.6010.490.11	10.6010.490.13/16/18

End cap for staircase, left/right

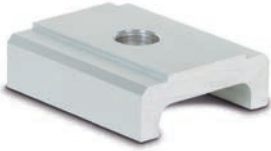


| For use on the left and right
| can be cut to size
| Sales unit: 1 piece

Model 6010	Mill finish	Plain aluminium	RAL coloured
Application	Art. no.	Art. no.	Art. no.
left/right	10.6010.491.10	10.6010.491.11	10.6010.491.13/16/18

TL-6010 | 0.74 KN TOP MOUNT

Spacer



You do not have any drainage options on your balcony?! So that you do not need to install a dam on your balcony, you can simply mount the spacers beneath your profile.

- | Length: 65 mm
- | Height: 18 mm
- | Width 55 mm
- | Inner drill hole: Ø 14 mm
- | Required number per 2500 mm: 17 pieces
- | Sales unit: 17 pieces

Model 6010	Mill finish	Plain aluminium	RAL coloured
	Art. no.	Art. no.	Art. no.
	10.6010.500.10	10.6010.500.11	10.6010.500.13/16/18

Fischer fixing anchor FH 12/50



- | Finish interior application: zinc-plated steel (inside)
- | Finish exterior application: V4A (exterior)
- | Required number per 2500 mm: 17 pieces
- | Sales unit: 25 pieces

Model 3511	zinc-plated steel (inside)	V4A (exterior)
Length	Art. no.	Art. no.
125	91.3511.250.81	91.3511.250.30

Fixing anchor steel



- | Finish interior application: zinc-plated steel (inside)
- | Finish exterior application: V4A (exterior)
- | Required number per 2500 mm: 17 pieces
- | M10 x 40 mm
- | Sales unit: 17 pieces

Model 6010	zinc-plated steel (inside)	V4A (exterior)
	Art. no.	Art. no.
	91.6010.040.81	91.6010.040.30

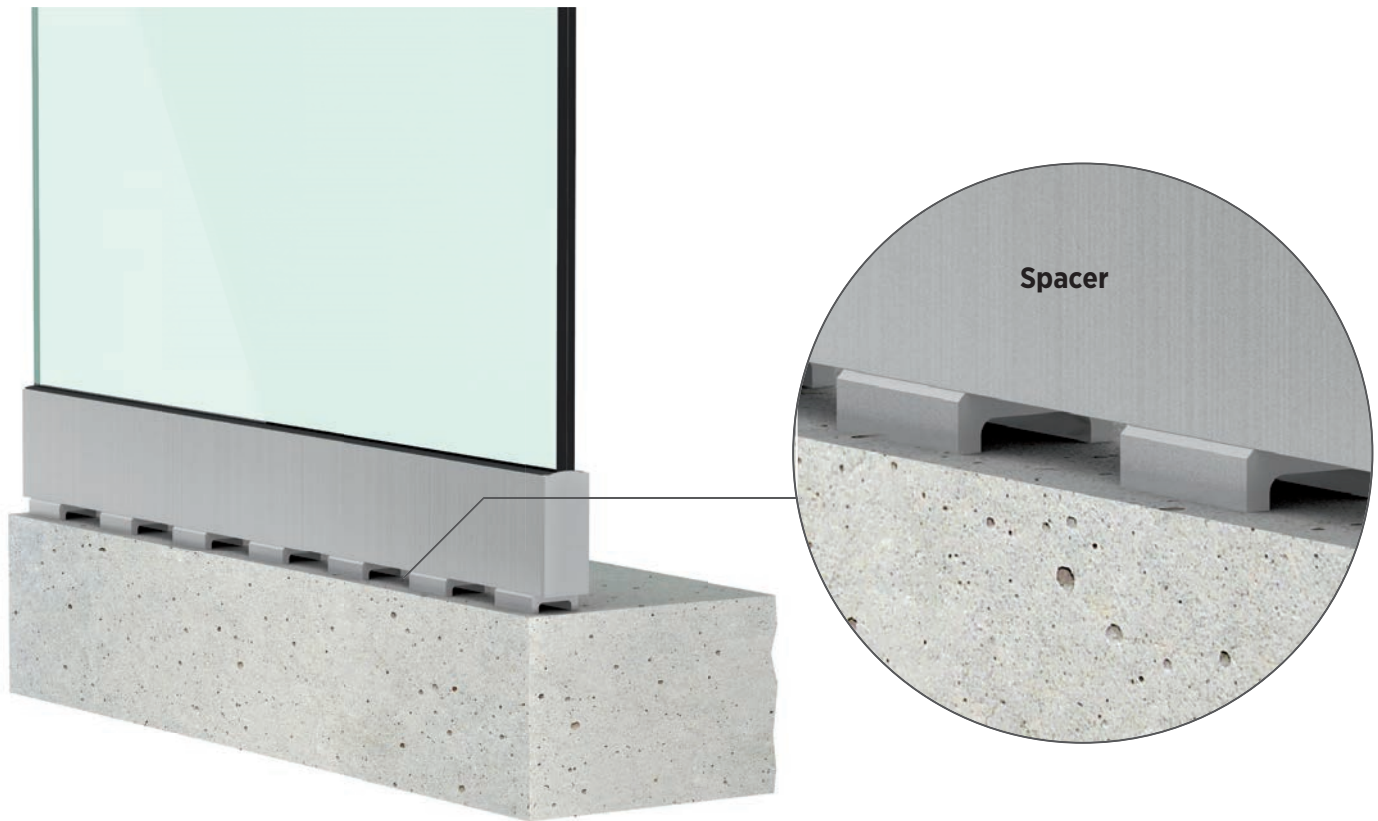
TL-6010 | 0.74 KN TOP MOUNT

FLEXFIT 1.0 KN



- | Fine adjustment of glass panes
- | For glass thicknesses between 12 - 21.52 mm
- | Adjustment of up to 34 mm in relation to the vertical axis
- | Pay attention to the right glass thickness!

Length		2500 mm	5000 mm	25 mtr
Glass thickness	Wedge colour	Art. no.	Art. no.	Art. no.
12 mm	black	90.0502.112.00	90.0505.112.00	90.0525.112.00
6/6/2 (12.76 mm)	red	90.0502.113.00	90.0505.113.00	90.0525.113.00
6/6/4 (13.52 mm)	grey	90.0502.114.00	90.0505.114.00	90.0525.114.00
15 mm	yellow	90.0502.115.00	90.0505.115.00	90.0525.115.00
8/8/2 (16.76 mm)	brown	90.0502.117.00	90.0505.117.00	90.0525.117.00
8/8/4 (17.52 mm)	green	90.0502.118.00	90.0505.118.00	90.0525.118.00
19 mm	blue	90.0502.119.00	90.0505.119.00	90.0525.119.00
10/10/2 (20.76 mm)	red	90.0502.121.00	90.0505.121.00	90.0525.121.00
10/10/4 (21.52 mm)	green	90.0502.122.00	90.0505.122.00	90.0525.122.00



ONE SIZE. ONE LEVEL.

Our end caps for staircases can be easily adjusted to the desired dimension. The lines on the rear of the end cap facilitate cutting it to shape and adjusting it to any desired angle.

Cut to Size



TL-6030

3.0 kN Top Mount

Fat Sister.

The TL-6030 U-profile HD is not only cost-effective. There is much more to it. This profile is especially popular for completely concealed installations. When used together with the structural connection profiles, its application versatility increases many times over.

As a matter of fact, the profile is suited both for interior and exterior applications. It can withstand a linear load of 3.0 kN and is appropriate for glass thicknesses between 21.52 mm and 31.52 mm.

Essential Features

- | Slimline, elegant design and low-maintenance
- | ONLEVEL FLEXFIT Glass Adjustment Tool
- | Drainage holes
- | For glass thicknesses between 21.52 - 31.52 mm
- | For applications in the public area



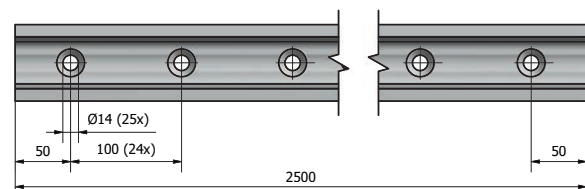
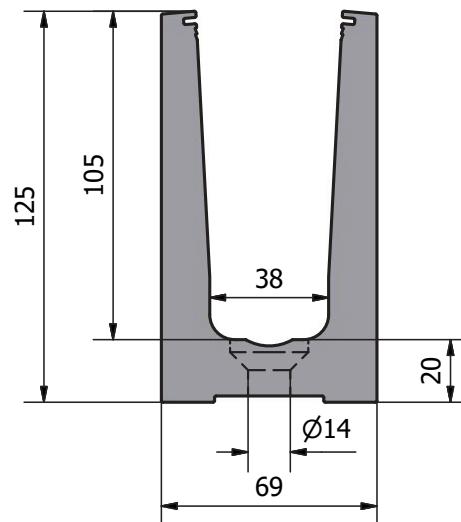
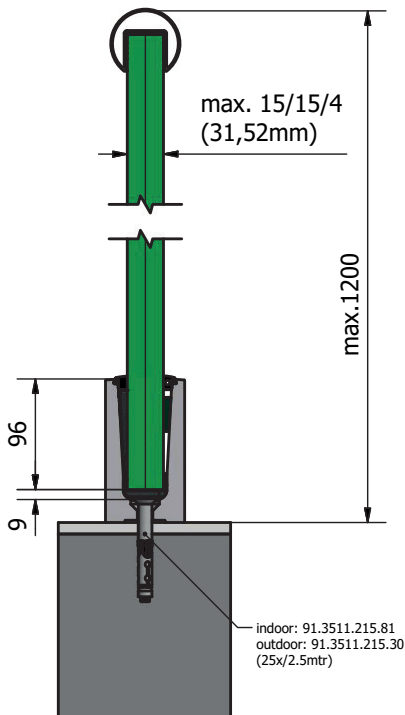
bimobject[®]

CAD IN EVERY
FORMAT

TESTED
according to
BS6180

CE EN1090-1
EN1090-3
EXC 3

riba
product
selector





Unlimited application
versatility

Fat but still nearly invisible



Especially for applications in
the public area



Top mount



TL-6030 | 3.0 KN TOP MOUNT

Glass profile



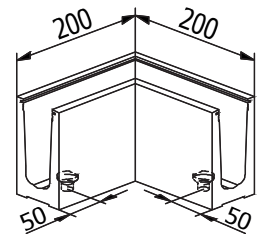
- | Height: 125 mm
- | Width 69 mm
- | Sales unit: 1 piece

Model 6030	Plain aluminium
Length	Art. no.
2500	10.6030.002.11

Inside corner / outside corner 90°



- | Side length inside: 131 mm
- | Side length outside: 200 mm
- | Sales unit: 1 piece



Model 6030	Plain aluminium
	Art. no.
	10.6030.390.11

End cap, left/right



- | For use on the left and right
- | Sales unit: 1 piece

Model 6030	Plain aluminium
Application	Art. no.
left/right	10.6030.490.11

Fischer fixing anchor FH II 12/15 SK



- | Finish interior application: zinc-plated steel (inside)
- | Finish exterior application: V4A (exterior)
- | Required number per 2500 mm: 25 pieces
- | Sales unit: 25 pieces

Model 3511	zinc-plated steel (inside)	V4A (exterior)
	Art. no.	Art. no.
	91.3511.215.81	91.3511.215.30

TL-6030 | 3.0 KN TOP MOUNT

Fixing anchor steel



- | Finish interior application: zinc-plated steel (inside)
- | Finish exterior application: V4A (exterior)
- | Required number per 2500 mm: 25 pieces
- | M10 x 40 mm
- | Sales unit: 17 pieces

Model 6030	zinc-plated steel (inside)	V4A (exterior)
	Art. no.	Art. no.
	91.6030.040.81	91.6030.040.30

FLEXFIT 3.0 kN



- | Fine adjustment of glass panes
- | For glass thicknesses between 21.52 - 31.52 mm
- | Adjustment of up to 34 mm in relation to the vertical axis
- | Pay attention to the right glass thickness!

Length		2500 mm	5000 mm	25 mtr
Glass thickness	Wedge colour	Art. no.	Art. no.	Art. no.
10/10/4 (21.52 mm)	blue	90.0502.322.00	90.0505.322.00	90.0525.322.00
12/12/4 (25.52 mm)	red	90.0502.326.00	90.0505.326.00	90.0525.326.00
15/15/4 (31.52 mm)	green	90.0502.332.00	90.0505.332.00	90.0525.332.00



Regal Balustrades Ltd

Unit 7, Eagles Wood Business Park,
Woodlands Lane, Bradley Stoke,
Bristol, BS32 4EU

T: +44 117 935 3888

E: sales@regalbalustrades.co.uk

www.regalbalustrades.co.uk