



Model 3011 | 3031

0.74KN AND 1.5KN SIDE MOUNT

- | Quick and simple mounting
- | Different finishes
- | For glass thicknesses between 12 - 31,52 mm
- | Drainage holes
- | Private, commercial, public areas and commercial high frequented areas



ONLEVEL distributed by:

TL-3011

0.74 kN Side Mount

Intelligent Advantage.

The TL-3011 Y-profile – one of many intelligent applications by ONLEVEL which brings nothing but benefits. The height adjustment options make the installation a child’s play.

As a matter of fact, the profile is suited both for interior and exterior applications. It can withstand a linear load of more 0.74 kN and is appropriate for glass thicknesses between 12 mm and 21.52 mm. With TL-3011 you prove your farsightedness.

Essential Features

- | Slimline, elegant design and low-maintenance
- | ONLEVEL FLEXFIT Glass Adjustment Tool
- | Extension pin holes
- | Drainage holes
- | Top Cover (optional)
- | Partial cover caps (optional)
- | For glass thicknesses between 12 - 21.52 mm

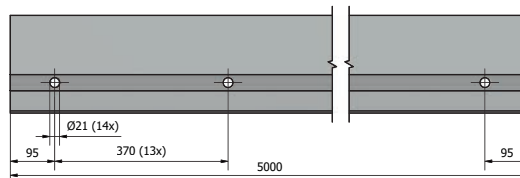
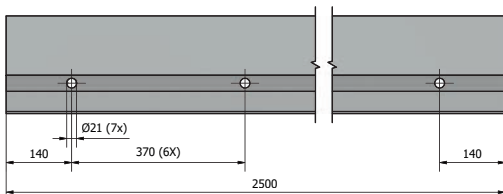
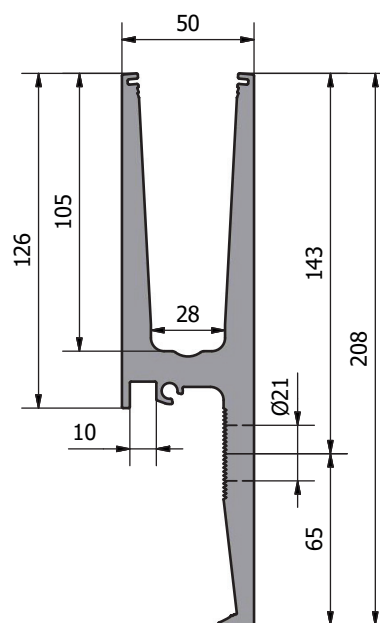
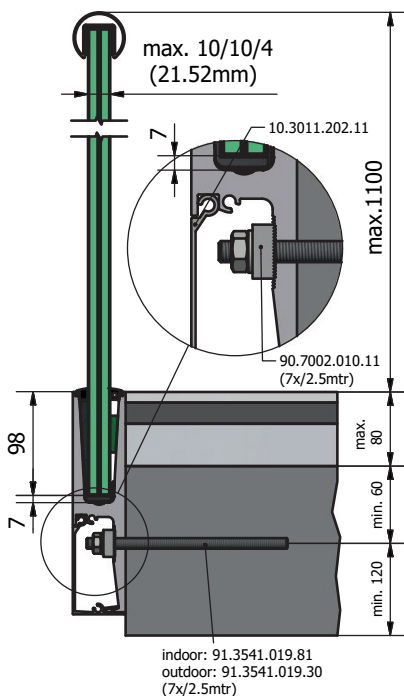


bimobject® CAD IN EVERY FORMAT

TESTED according to BS6180

CE EN1090-1 EN1090-3 EXC 3

riba product selector



Enables concealed application



Elongated hole for easy height adjustment



Side mount

TL-3011 | 0.74 KN SIDE MOUNT

Glass profile



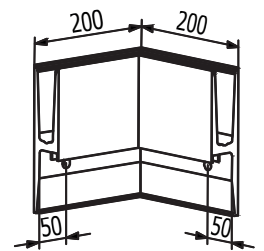
| Height: 208 mm
| Width 50 mm
| Sales unit: 1 piece

Model 3011	Mill finish	Plain aluminium	RAL coloured
Length	Art. no.	Art. no.	Art. no.
2500	-	10.3011.002.11	-
5000	10.3011.005.10	10.3011.005.11	10.3011.005.13/16/18

Inside corner 90°



| Side length inside: 150 mm
| Side length outside: 200mm
| Sales unit: 1 piece

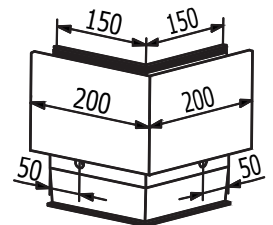


Model 3011	Mill finish	Plain aluminium	RAL coloured
	Art. no.	Art. no.	Art. no.
	10.3011.300.10	10.3011.300.11	10.3011.300.13/16/18

Outside corner 90°



| Side length inside: 150 mm
| Side length outside: 200 mm
| Sales unit: 1 piece



Model 3011	Mill finish	Plain aluminium	RAL coloured
	Art. no.	Art. no.	Art. no.
	10.3011.350.10	10.3011.350.11	10.3011.350.13/16/18

End cap with cover strip, left



| For use on the left
| Sales unit: 1 piece

Model 3011	Mill finish	Plain aluminium	RAL coloured
Application	Art. no.	Art. no.	Art. no.
left	10.3011.410.10	10.3011.410.11	10.3011.410.13/16/18

TL-3011 | 0.74 KN SIDE MOUNT

End cap with cover strip, right



| For use on the right
| Sales unit: 1 piece

Model 3011	Mill finish	Plain aluminium	RAL coloured
Application	Art. no.	Art. no.	Art. no.
right	10.3011.460.10	10.3011.460.11	10.3011.460.13/16/18

End cap for staircase with cover strip, left



| For use on the left
| can be cut to size
| Sales unit: 1 piece

Model 3011	Mill finish	Plain aluminium	RAL coloured
Application	Art. no.	Art. no.	Art. no.
left	10.3011.411.10	10.3011.411.11	10.3011.411.13

End cap for staircase with cover strip, right



| For use on the right
| can be cut to size
| Sales unit: 1 piece

Model 3011	Mill finish	Plain aluminium	RAL coloured
Application	Art. no.	Art. no.	Art. no.
right	10.3011.461.10	10.3011.461.11	10.3011.461.13

Cover strip



Cover for the lower part of the profile

| Sales unit: 1 piece

Model 3011	Mill finish	Plain aluminium	RAL coloured
Length	Art. no.	Art. no.	Art. no.
2500	-	10.3011.202.11	-
5000	10.3011.205.10	10.3011.205.11	10.3011.205.13/16/18

TL-3011 | 0.74 KN SIDE MOUNT

Cover strip



Cover for the entire profile

| Sales unit: 1 piece

Model 3011	Mill finish	Plain aluminium	RAL coloured
Length	Art. no.	Art. no.	Art. no.
2500	-	10.3011.212.11	-
5000	10.3011.215.10	10.3011.215.11	10.3011.215.13/16/18

Spacer plate

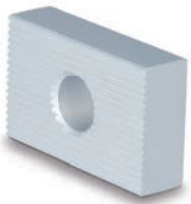


| Thickness 10 mm

| Sales unit: 1 piece

Model 3011	Plain aluminium
	Art. no.
	10.3011.500.11

Mounting block.



| For TL-3011/3031

| Required number per 2500 mm: 7 pieces

| Sales unit: 8 pieces

Model 7002	Plain aluminium
Inner drill hole	Art. no.
Ø 11 mm	90.7002.010.11
Ø 13 mm	90.7002.012.11

Extension pin.



| Length: 40 mm

| Diameter: Ø 6 mm

| Sales unit: 8 pieces

Model 7001	V4A (inside & outside)
	Art. no.
	90.7001.640.31

TL-3011 | 0.74 KN SIDE MOUNT

Fischer fixing anchor RG M10x190



- | Finish interior application: zinc-plated steel (inside)
- | Finish exterior application: V4A (exterior)
- | Required number per 2500 mm: 7 pieces
- | M10
- | Sales unit: 10 pieces

Model 3541	zinc-plated steel (inside)	V4A (exterior)
	Art. no.	Art. no.
	91.3541.019.81	91.3541.019.30

Fixing anchor for steel



- | Finish interior application: zinc-plated steel (inside)
- | Finish exterior application: V4A (exterior)
- | Required number per 2500 mm: 7 pieces
- | M10 x 60 mm
- | Sales unit: 7 pieces

Model 3011	zinc-plated steel (inside)	V4A (exterior)
	Art. no.	Art. no.
	91.3011.060.81	91.3011.060.30

Rampa fixing anchor for wood



- | Finish interior application: zinc-plated steel (inside)
- | Required number per 2500 mm: 14 pieces
- | M10
- | Sales unit: 14 pieces

Model 3011	zinc-plated steel (inside)
	Art. no.
	91.3011.800.81



TL-3011 | 0.74 KN SIDE MOUNT

FLEXFIT 1.0 KN



- | Fine adjustment of glass panes
- | For glass thicknesses between 12 - 21.52 mm
- | Adjustment of up to 34 mm in relation to the vertical axis
- | Pay attention to the right glass thickness!

Length		2500 mm	5000 mm	25 mtr
Glass thickness	Wedge colour	Art. no.	Art. no.	Art. no.
12 mm	black	90.0502.112.00	90.0505.112.00	90.0525.112.00
6/6/2 (12.76 mm)	red	90.0502.113.00	90.0505.113.00	90.0525.113.00
6/6/4 (13.52 mm)	grey	90.0502.114.00	90.0505.114.00	90.0525.114.00
15 mm	yellow	90.0502.115.00	90.0505.115.00	90.0525.115.00
8/8/2 (16.76 mm)	brown	90.0502.117.00	90.0505.117.00	90.0525.117.00
8/8/4 (17.52 mm)	green	90.0502.118.00	90.0505.118.00	90.0525.118.00
19 mm	blue	90.0502.119.00	90.0505.119.00	90.0525.119.00
10/10/2 (20.76 mm)	red	90.0502.121.00	90.0505.121.00	90.0525.121.00
10/10/4 (21.52 mm)	green	90.0502.122.00	90.0505.122.00	90.0525.122.00



TL-3031

1.5 kN Side Mount

The Power of Improvement.

The true muscle man among the all-glass balustrades. This is the profile which is most often used in highly frequented projects. No profile can be mounted faster. No profile requires less effort. Even strongest loads are no problem.

Like all profiles from ONLEVEL, TL-3031 can be used both in interior and exterior applications. It can withstand linear loads of more than 1.5 kN and is appropriate for glass thicknesses between 21.52 mm and 31.52 mm.

Essential Features

- | Slimline, elegant design and low-maintenance
- | ONLEVEL FLEXFIT Glass Adjustment Tool
- | Extension pin holes
- | Drainage holes
- | Top Cover (optional)
- | Partial cover caps (optional)
- | Height adjustable
- | For glass thicknesses between 21.52 - 31.52 mm

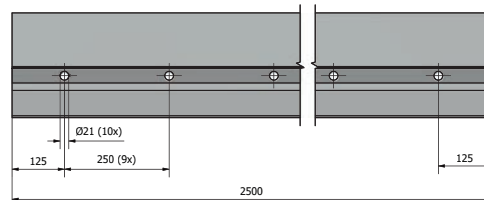
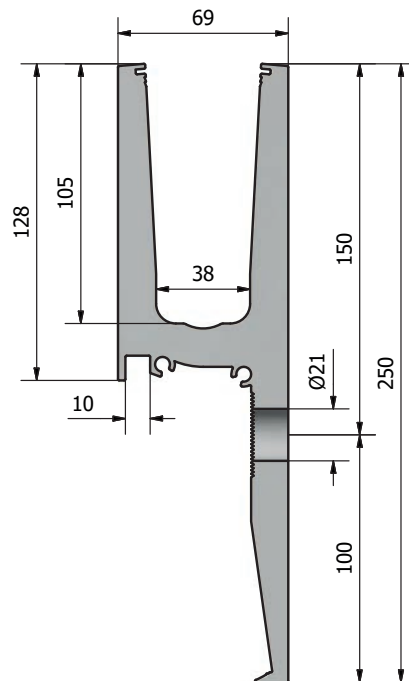
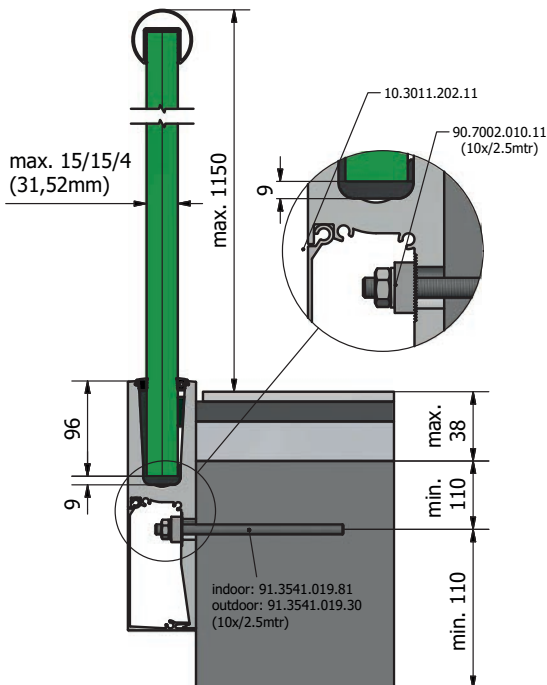


bimobject® CAD IN EVERY FORMAT

TESTED according to BS6180

CE EN1090-1 EN1090-3 EXC 3

riba product selector





For highly frequented construction projects

Elongated hole for easy height adjustment



Side mount

TL-3031 | 1.5 KN SIDE MOUNT

Glass profile



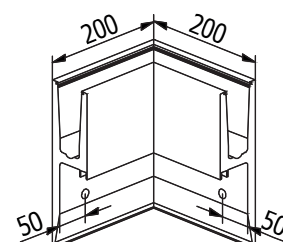
| Height: 250 mm
| Width 69 mm
| Sales unit: 1 piece

Model 3031	Plain aluminium
Length	Art. no.
2500	10.3031.002.11

Inside corner 90°



| Side length inside: 131 mm
| Side length outside: 200 mm
| Sales unit: 1 piece

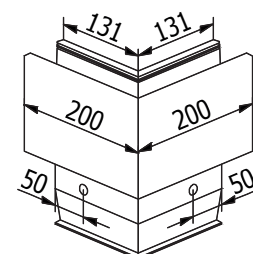


Model 3031	Plain aluminium
	Art. no.
	10.3031.300.11

Outside corner 90°



| Side length inside: 131 mm
| Side length outside: 200 mm
| Sales unit: 1 piece



Model 3031	Plain aluminium
	Art. no.
	10.3031.350.11

End cap with cover strip, left



| For use on the left
| Sales unit: 1 piece

Model 3031	Plain aluminium
Application	Art. no.
left	10.3031.410.11

TL-3031 | 1.5 KN SIDE MOUNT

End cap with cover strip, right



| For use on the right
| Sales unit: 1 piece

Model 3031	Plain aluminium
Application	Art. no.
right	10.3031.460.11

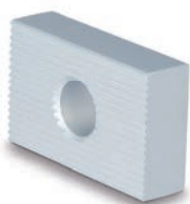
Cover strip



| Sales unit: 1 piece

Model 3031	Plain aluminium
Length	Art. no.
2500	10.3031.202.11
5000	10.3031.205.11

Mounting block.



| For TL-3011/3031
| Required number per 2500 mm: 10 pieces
| Sales unit: 8 pieces

Model 7002	Plain aluminium
Inner drill hole	Art. no.
Ø 11 mm	90.7002.010.11
Ø 13 mm	90.7002.012.11

Extension pin



| Length: 40 mm
| Diameter: Ø 6 mm
| Sales unit: 8 pieces

Model 7001	V4A (inside & outside)
	Art. no.
	90.7001.640.31

TL-3031 | 1.5 KN SIDE MOUNT

Fischer fixing anchor RG M10x190



- | Finish interior application: zinc-plated steel (inside)
- | Finish exterior application: V4A (exterior)
- | Required number per 2500 mm: 10 pieces
- | M10
- | Sales unit: 10 pieces



Model 3541	zinc-plated steel (inside)	V4A (exterior)
	Art. no.	Art. no.
	91.3541.019.81	91.3541.019.30

Fixing anchor for steel

- | Finish interior application: zinc-plated steel (inside)
- | Finish exterior application: V4A (exterior)
- | Required number per 2500 mm: 10 pieces
- | M10 x 60 mm
- | Sales unit: 10 pieces



Model 3031	zinc-plated steel (inside)	V4A (exterior)
	Art. no.	Art. no.
	91.3031.060.81	91.3031.060.30

FLEXFIT 3.0 kN



- | Fine adjustment of glass panes
- | For glass thicknesses between 21.52 - 31.52 mm
- | Adjustment of up to 34 mm in relation to the vertical axis
- | Pay attention to the right glass thickness!

Length		2500 mm	5000 mm	25 mtr
Glass thickness	Wedge colour	Art. no.	Art. no.	Art. no.
10/10/4 (21.52 mm)	blue	90.0502.322.00	90.0505.322.00	90.0525.322.00
12/12/4 (25.52 mm)	red	90.0502.326.00	90.0505.326.00	90.0525.326.00
15/15/4 (31.52 mm)	green	90.0502.332.00	90.0505.332.00	90.0525.332.00

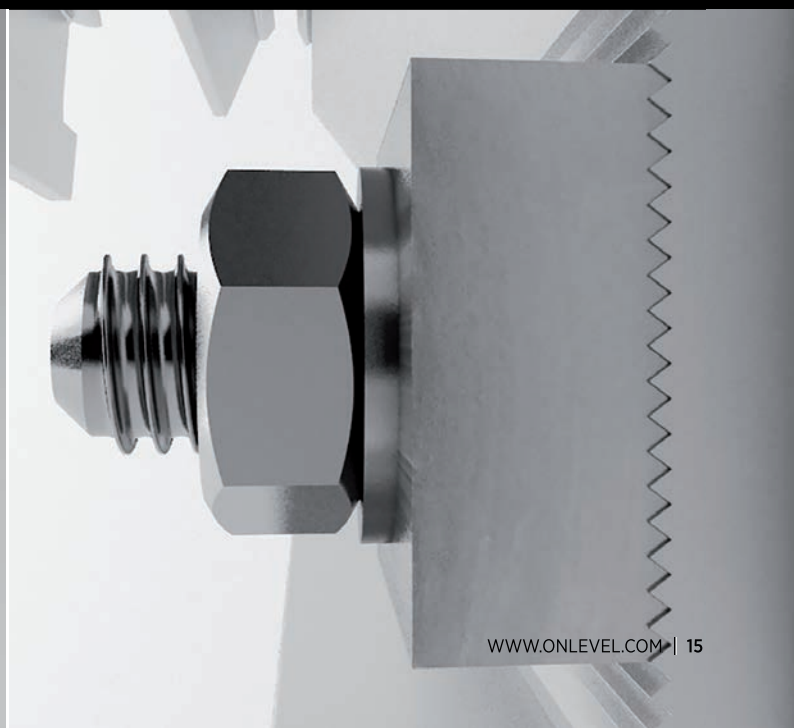
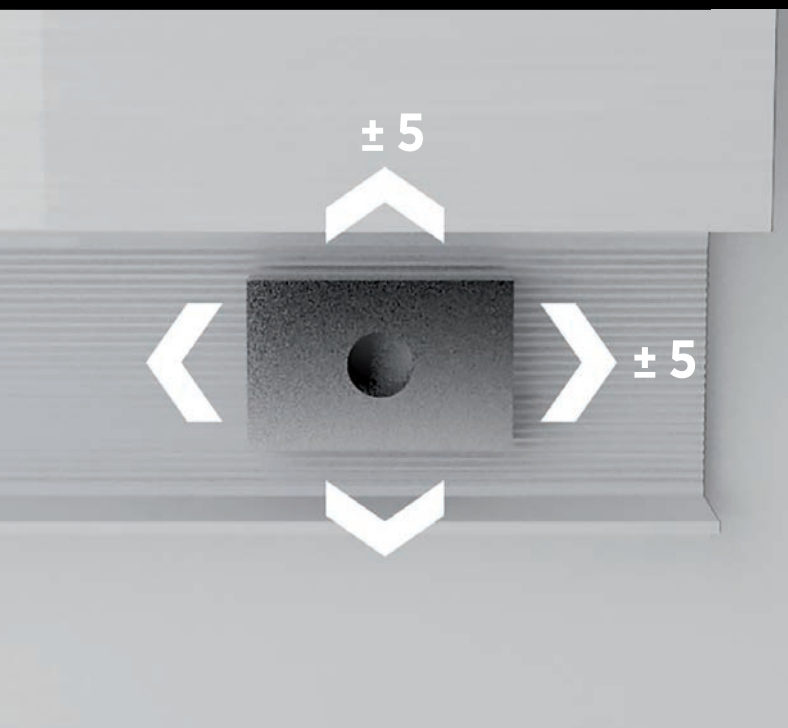
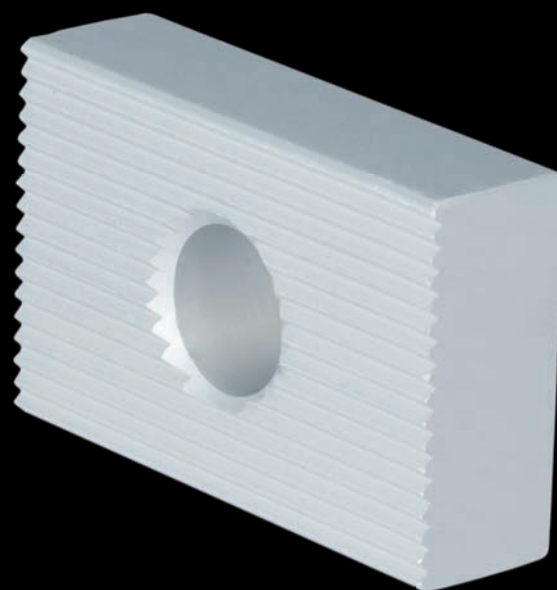
HEIGHT ADJUSTABLE MOUNTING BLOCK.

The Steady and Flexible Body.

We wouldn't be ONLEVEL, if we didn't work permanently for the further development of our products: We have enabled a more significant compensation of construction and mounting tolerances by taking optimum advantage of the opportunities provided by aluminium extrusions.

Therefore, the drill hole for fixing our glass support profiles does not need to be completely accurate any more, but has a tolerance of approx. 5 mm in each direction. In order to guarantee that the glass balustrade remains in place, the mounting block is equipped with teeth. In this way, a force-locked connection is achieved. Therefore always pay attention to the logo indicating the suitable application types.

Mounting block with teeth
for optimum side mount





Regal Balustrades Ltd

Unit 7, Eagles Wood Business Park,
Woodlands Lane, Bradley Stoke,
Bristol, BS32 4EU

T: +44 117 935 3888

E: sales@regalbalustrades.co.uk

www.regalbalustrades.co.uk