



NEW: SKYFORCE SLIM

SKYFORCE

- | Quick and simple mounting
- | Different surface finishes
- | Available for different glass thicknesses, pre-assembled as set
- | Max. width up to 3000 mm
- | Suitable for plastic, aluminium and wooden frames
- | Mounting on stone, concrete and steel
- | Independently tested and certified to BS6180:2011
- | Patented unique drainage systems

regal

BALUSTRADES

ONLEVEL distributed by:

SKYFORCE

Fall protections for Juliet Balconies

The System of Invisibility.

Once again **ONLEVEL** sets innovative trends with the **SKYFORCE** fall protection for juliet balconies. It is the first practically invisible system application. But what is even better: It is the best and most cost-effective system application on the market. There is no system which can be mounted easier and quicker. This saves you unnecessary frustration and gives you valuable additional time and profit potential. Thanks to the **ONLEVEL** "Prefabricated System", you save 45 minutes of mounting time per set.

We have consistently implemented both the quick and easy installation as well as the classical and timeless design. The fall protection can be easily installed behind the shutter guide rails with simple tools. As a matter of course, **SKYFORCE** is also compatible with any window profile: Thanks to our unrivalled and predestined Slide & Click Technique, the system can be mounted directly onto the window frame or masonry. Best of all, you can cover all glass thicknesses, heights and widths with only one profile.



LINE LOADS UP TO 1.5kN

Essential Features

- | Easy ordering thanks to packaging sets of 500, 700, 900, 1000, 1100 and 1200 mm
- | **ONLEVEL** Prefabricated-System - Mounting advantage of up to 45 minutes per set
- | Storage lengths of 5000 mm available to allow customer made solutions
- | With drainage channels
- | Nearly tool-free installation
- | Colour design possible according to RAL
- | Suitable for plastic, aluminium wooden and metal frames
- | With General Building Inspection Test Certificate ABP and BS6180
- | **SKYFORCE** glass dimensions acc. to ABP:

Glass width up to	Glass thickness	Glass height
1200 mm	10.76 mm	800 - 1200 mm
1400 mm	12.76 mm	500 - 1200 mm
1700 mm	16.76 mm	500 - 1200 mm
3000 mm	21.52 mm	300 - 1200 mm

For additional special dimensions please refer to the test certificates.



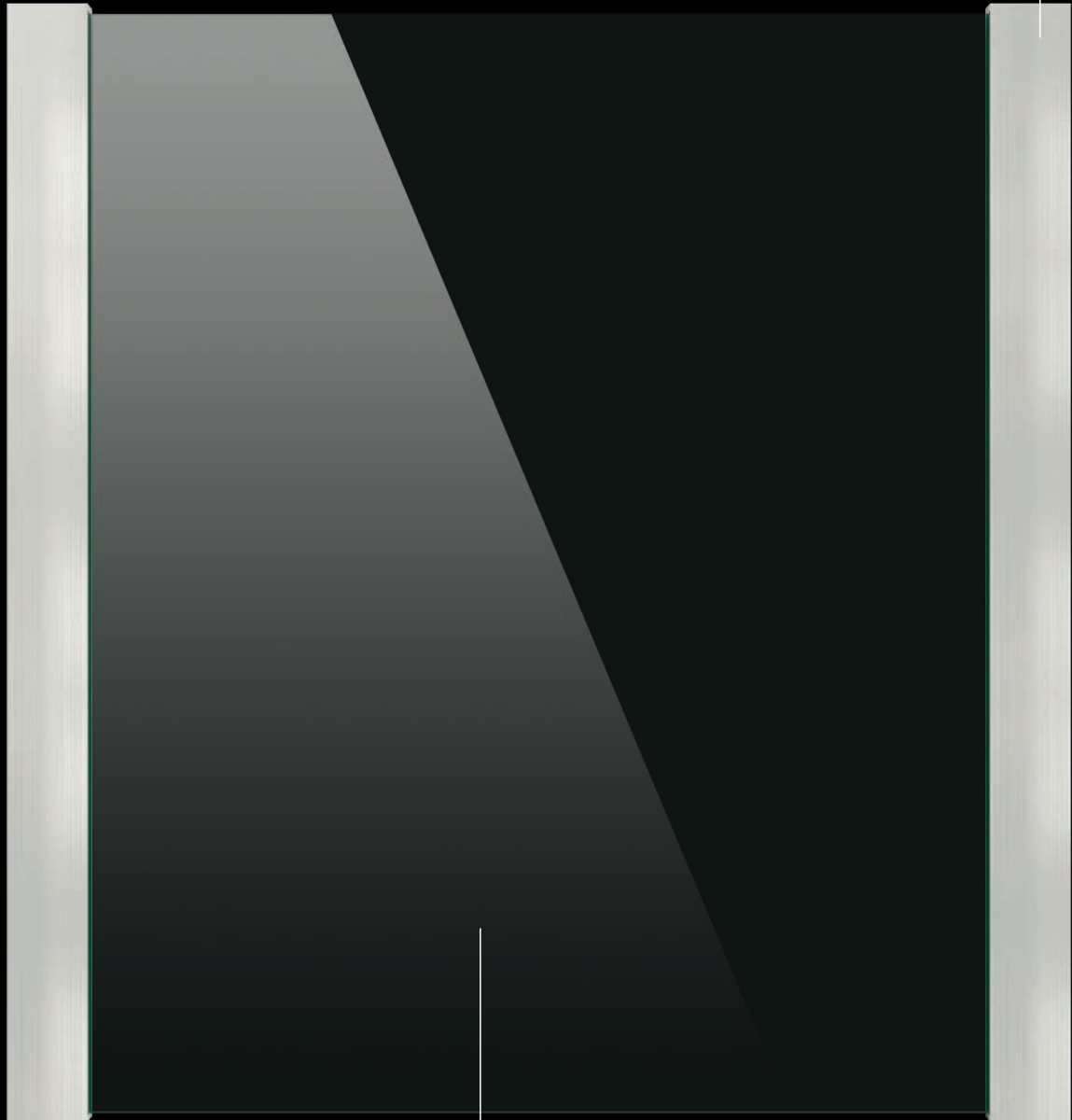
riba
product
selector

TESTED
according to
BS6180



Quick and simple mounting

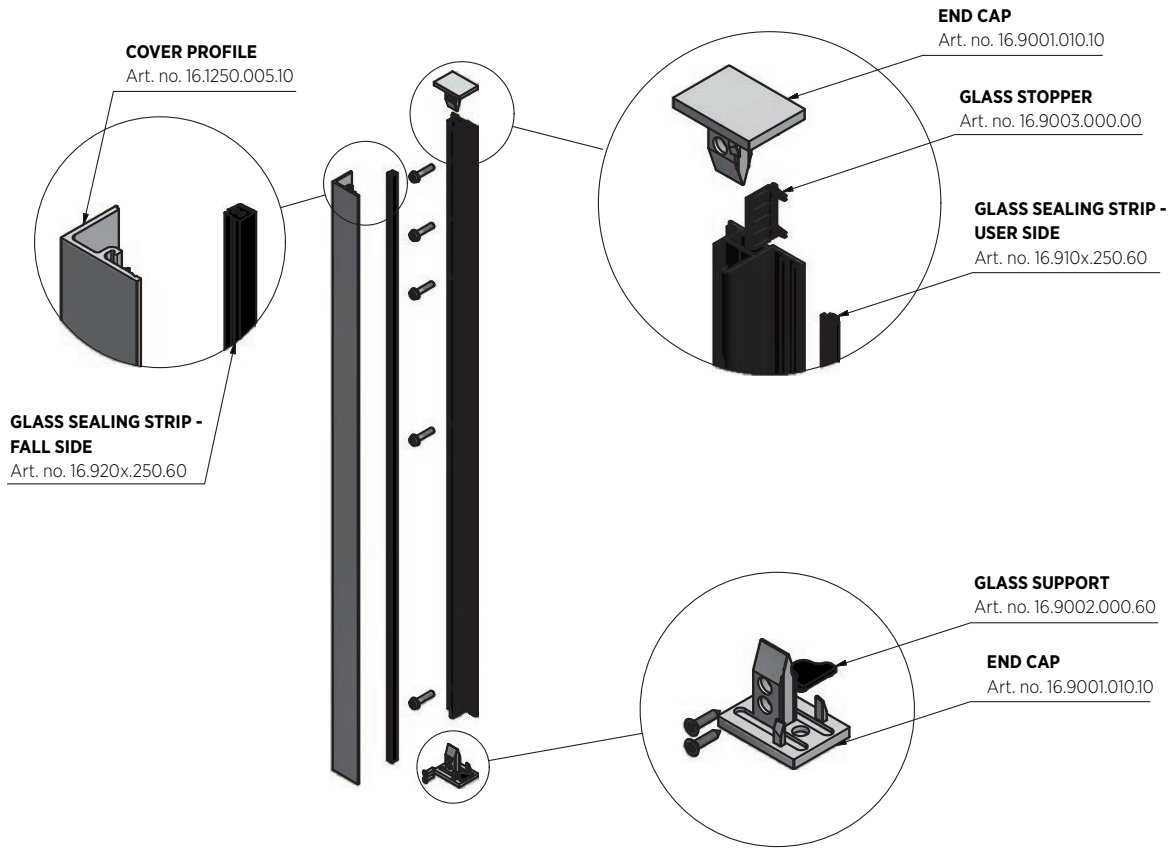
Different finishes



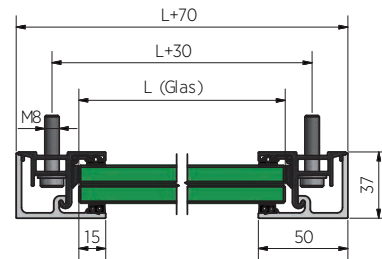
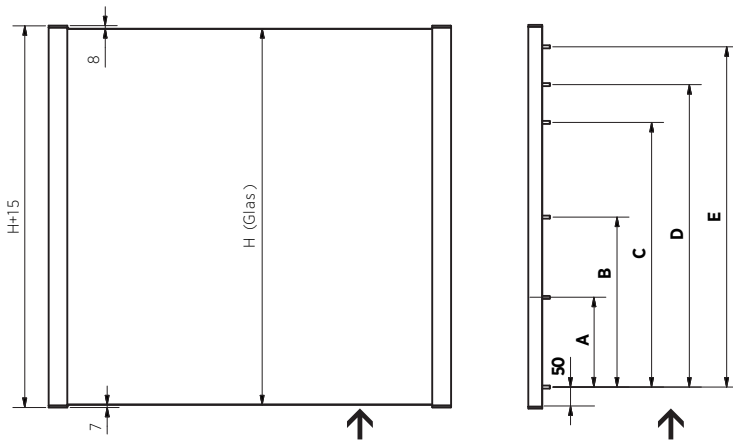
Available for different glass thicknesses, pre-assembled as set

The coolest of all names

SKYFORCE TOP MOUNT



Glass Dimensions Skyforce Top Mounting



Glas Height (H)	900 mm	1000 mm	1100 mm	1200 mm
A	133 mm	200 mm	233 mm	267 mm
B	266 mm	400 mm	466 mm	533 mm
C	600 mm	700 mm	800 mm	900 mm
D	700 mm	800 mm	900 mm	1000 mm
E	800 mm	900 mm	1000 mm	1100 mm

SKYFORCE | EXTERIOR MOUNT | PRE-SIZED FINISHED KITS

Surface finish code for your Skyforce order

- .10 Aluminium, mill finish
- .11 Aluminium, anodised
- .13 RAL glossy (minimum order quantity 5 units)
- .16 RAL structured matt (minimum order quantity 5 units)
- .18 RAL matt (minimum order quantity 5 units)
- .16sb RAL structured matt in Stealth Black colour (minimum order quantity 5 units)

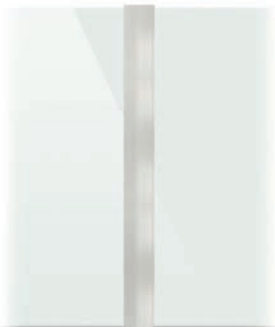
Example: You order your 16.1009.010.**16** profile and receive it with “structured matt” surface finish and a colour of your choice. If you’d like to learn more about our colour structures, you can order one of our colour charts – Art. No.: 85.7003.001.00 at info@onlevel.com.

Juliet balcony, 2-part complete set

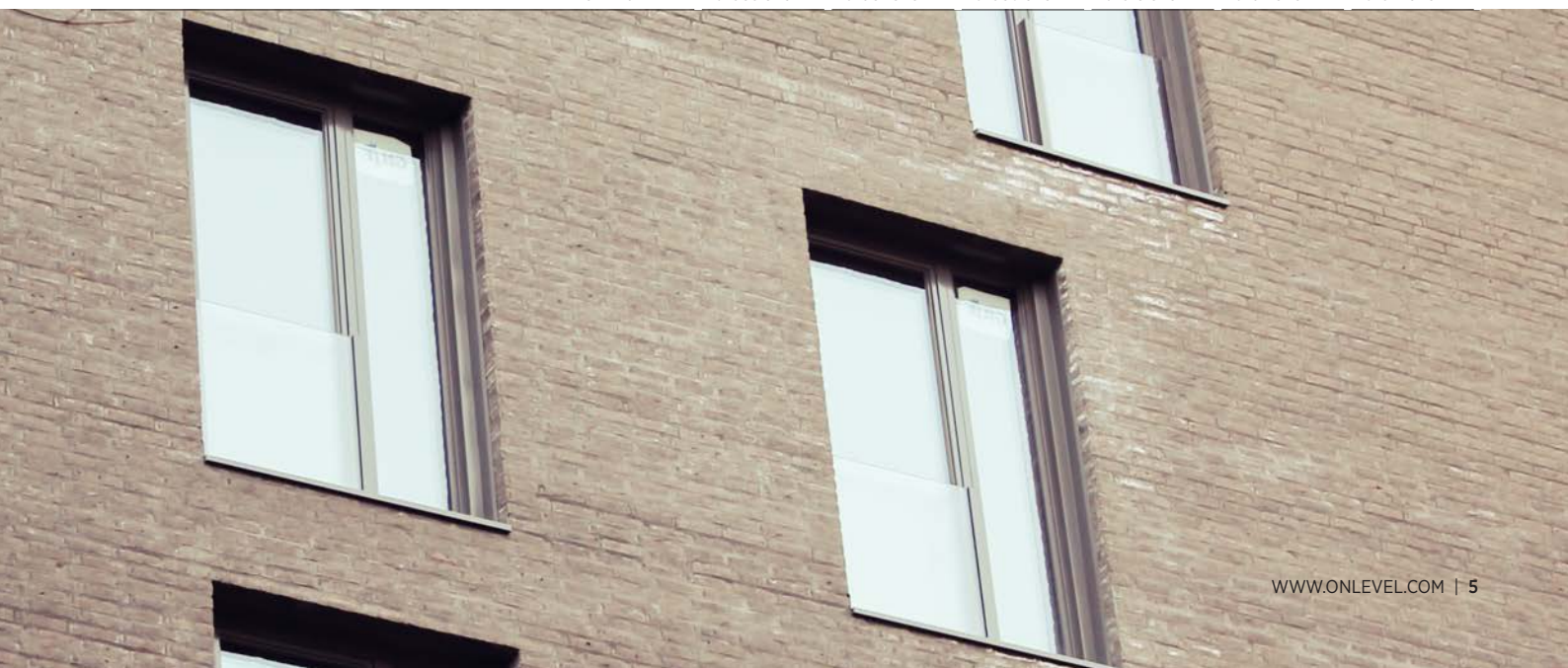


Height	500 mm	700 mm	900 mm	1000 mm	1100 mm	1200 mm
Rubber set for	Art. no.	Art. no.	Art. no.	Art. no.	Art. no.	Art. no.
10 - 11 mm	16.1005.010.xx	16.1007.010.xx	16.1009.010.xx	16.1010.010.xx	16.1011.010.xx	16.1012.010.xx
12 - 13.5 mm	16.1005.012.xx	16.1007.012.xx	16.1009.012.xx	16.1010.012.xx	16.1011.012.xx	16.1012.012.xx
15 mm	16.1005.015.xx	16.1007.015.xx	16.1009.015.xx	16.1010.015.xx	16.1011.015.xx	16.1012.015.xx
16 - 17.5 mm	16.1005.016.xx	16.1007.016.xx	16.1009.016.xx	16.1010.016.xx	16.1011.016.xx	16.1012.016.xx
19 mm	16.1005.019.xx	16.1007.019.xx	16.1009.019.xx	16.1010.019.xx	16.1011.019.xx	16.1012.019.xx
20 - 21.5 mm	16.1005.020.xx	16.1007.020.xx	16.1009.020.xx	16.1010.020.xx	16.1011.020.xx	16.1012.020.xx

Juliet balcony, centrepiece



Height	500 mm	700 mm	900 mm	1000 mm	1100 mm	1200 mm
Rubber set for	Art. no.	Art. no.	Art. no.	Art. no.	Art. no.	Art. no.
10 - 11 mm	16.1505.010.xx	16.1507.010.xx	16.1509.010.xx	16.1510.010.xx	16.1511.010.xx	16.1512.010.xx
12 - 13.5 mm	16.1505.012.xx	16.1507.012.xx	16.1509.012.xx	16.1510.012.xx	16.1511.012.xx	16.1512.012.xx
15 mm	16.1505.015.xx	16.1507.015.xx	16.1509.015.xx	16.1510.015.xx	16.1511.015.xx	16.1512.015.xx
16 - 17.5 mm	16.1505.016.xx	16.1507.016.xx	16.1509.016.xx	16.1510.016.xx	16.1511.016.xx	16.1512.016.xx
19 mm	16.1505.019.xx	16.1507.019.xx	16.1509.019.xx	16.1510.019.xx	16.1511.019.xx	16.1512.019.xx
20 - 21.5 mm	16.1505.020.xx	16.1507.020.xx	16.1509.020.xx	16.1510.020.xx	16.1511.020.xx	16.1512.020.xx



SKYFORCE TOP | EXTERIOR MOUNT | COMPONENTS

Juliet balcony, screw-on profile, left and right

| Sales unit: 1 piece



Model SF	Aluminium black
Length	Art. no.
5000	16.1150.005.15

Juliet balcony, cover profile, left and right

| Sales unit: 1 piece



Model SF	Mill finish	Coloured
Length	Art. no.	Art. no.
5000	16.1250.005.10	16.1250.005.13/16/18

Juliet balcony, end cap, left and right

| Fixing screw 91.1140.419.30

| Sales unit: 4 pieces



Model SF	Mill finish	Plain aluminium	Coloured
	Art. no.	Art. no.	Art. no.
	16.9001.010.10	16.9001.010.11	16.9001.010.13/16/18

SKYFORCE TOP | EXTERIOR MOUNT | COMPONENTS

Juliet balcony, screw-on profile, centre

| Sales unit: 1 piece



Model SF	Aluminium black
Length	Art. no.
5000	16.1650.005.15

Juliet balcony, cover profile, centre

| Sales unit: 1 piece



Model SF	Mill finish	Coloured
Length	Art. no.	Art. no.
5000	16.1750.005.10	16.1750.005.13/16/18

Juliet balcony, end cap, centre

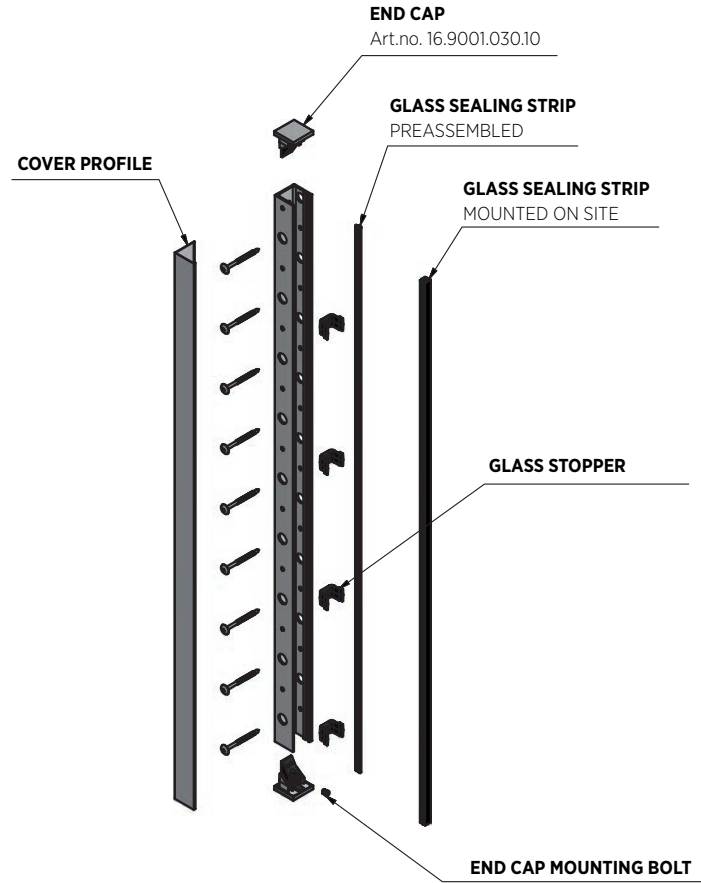
| Fixing screw 91.1140.419.30

| Sales unit: 2 pieces



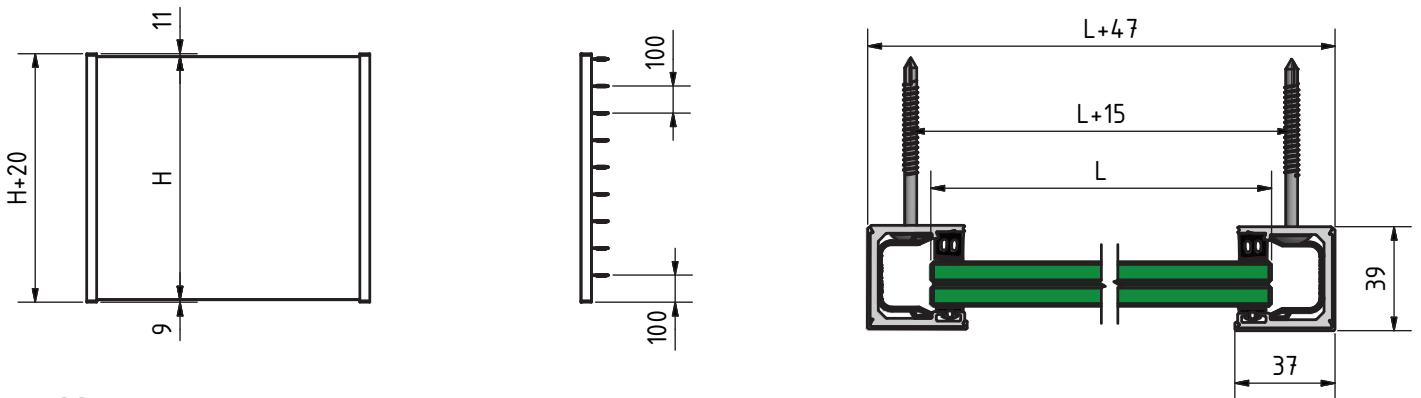
Model SF	Mill finish	Plain aluminium	Coloured
	Art. no.	Art. no.	Art. no.
	16.9001.015.10	16.9001.015.11	16.9001.015.13/16/18

SKYFORCE SLIM TOP MOUNT

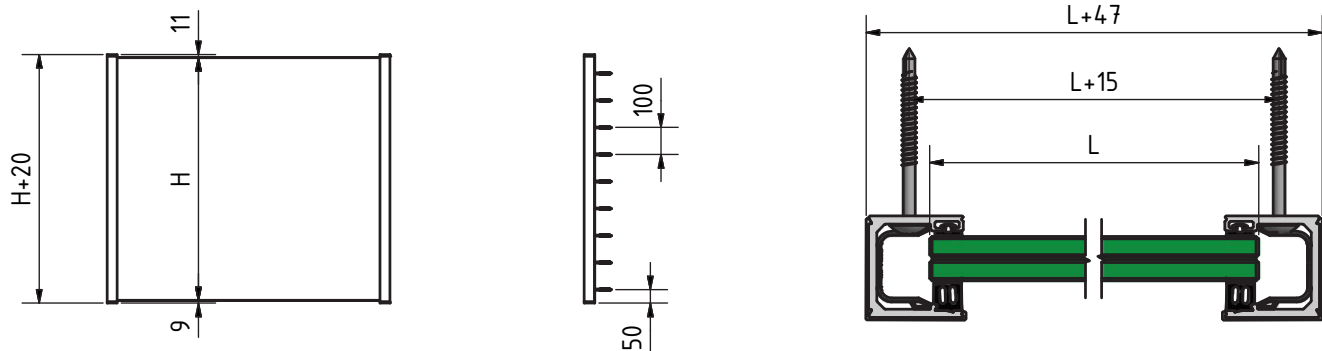


Glass Dimensions Skyforce Slim Mounting

Inside Mount



Outside Mount



SKYFORCE SLIM PRE-SIZED FINISHED KITS

Surface finish code for your Skyforce order

- .10 Aluminium, mill finish
- .11 Aluminium, anodised
- .13 RAL glossy (minimum order quantity 5 units)
- .16 RAL structured matt (minimum order quantity 5 units)
- .18 RAL matt (minimum order quantity 5 units)
- .16sb RAL structured matt in Stealth Black colour (minimum order quantity 5 units)

Example: You order your 16.1009.010.**16** profile and receive it with “structured matt” surface finish and a colour of your choice. If you’d like to learn more about our colour structures, you can order one of our colour charts – Art. No.: 85.7003.001.00 at info@onlevel.com.

Juliet balcony, 2-part complete set



- | SKYFORCE Slim now with a reduced width from 50 mm to 37 mm, which makes “Slim” especially suitable for narrow window frames
- | Glass mounting can optionally be done either from outside or from inside
- | Heights of 700, 900 and 1200 mm available in stock

Height	500 mm	700 mm	900 mm	1000 mm	1100 mm	1200 mm
Rubber set for	Art. no.	Art. no.	Art. no.	Art. no.	Art. no.	Art. no.
10 - 11 mm	16.3005.010.xx	16.3007.010.xx	16.3009.010.xx	16.3010.010.xx	16.3011.010.xx	16.3012.010.xx
12 - 13.5 mm	16.3005.012.xx	16.3007.012.xx	16.3009.012.xx	16.3010.012.xx	16.3011.012.xx	16.3012.012.xx
15 mm	16.3005.015.xx	16.3007.015.xx	16.3009.015.xx	16.3010.015.xx	16.3011.015.xx	16.3012.015.xx
16 - 17,5 mm	16.3005.016.xx	16.3007.016.xx	16.3009.016.xx	16.3010.016.xx	16.3011.016.xx	16.3012.016.xx
19 mm	16.3005.019.xx	16.3007.019.xx	16.3009.019.xx	16.3010.019.xx	16.3011.019.xx	16.3012.019.xx
20 - 21.5 mm	16.3005.020.xx	16.3007.020.xx	16.3009.020.xx	16.3010.020.xx	16.3011.020.xx	16.3012.020.xx

SKYFORCE SLIM | COMPONENTS

Juliet balcony, glass stopper

| Sales unit: 50 pieces



Modell SF	Plastic
	Art. no.
	16.9003.030.00

Juliet balcony, end cap, left and right

| Sales unit: 4 pieces

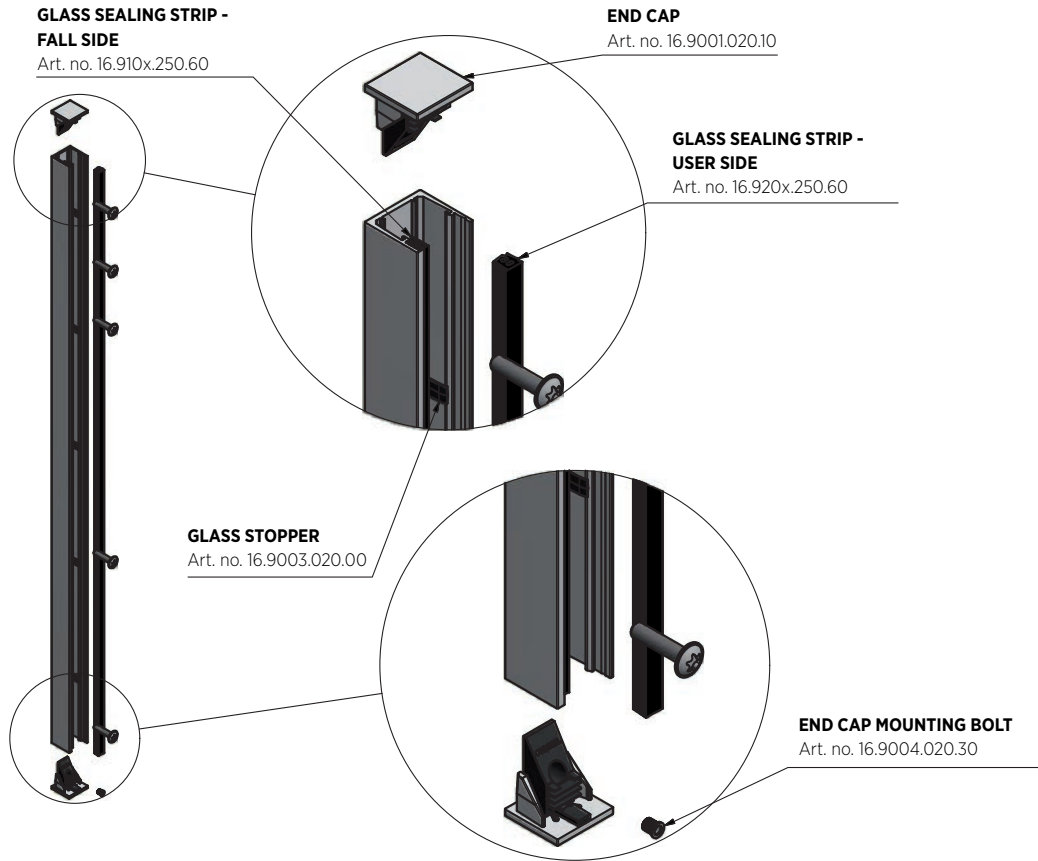


Model SF	Mill finish	Plain aluminium	Coloured
	Art. no.	Art. no.	Art. no.
	16.9001.030.10	16.9001.030.11	16.9001.030.13/16/18

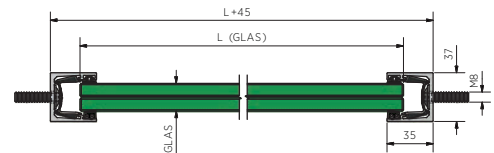
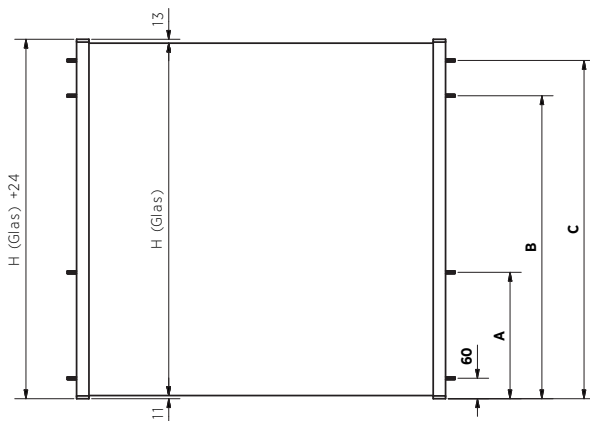
WATCH THE SKY**FORCE**
MOUNTING VIDEO ONLINE!



SKYFORCE SIDE | REVEAL MOUNT



Glass Dimensions Skyforce Reveal Mounting



Height (H)	900 mm	1000 mm	1100 mm	1200 mm
A	410	460	510	560
B	760	860	960	1060
C	860	860	1060	1160

SKYFORCE SIDE | EXTERIOR MOUNT | PRE-SIZED FINISHED KITS

Surface finish code for your Skyforce order

- .10 Aluminium, mill finish
- .11 Aluminium, anodised
- .13 RAL glossy (minimum order quantity 5 units)
- .16 RAL structured matt (minimum order quantity 5 units)
- .18 RAL matt (minimum order quantity 5 units)
- .16sb RAL structured matt in Stealth Black colour (minimum order quantity 5 units)

Example: You order your 16.1009.010.**16** profile and receive it with “structured matt” surface finish and a colour of your choice. If you’d like to learn more about our colour structures, you can order one of our colour charts – Art. No.: 85.7003.001.00 at info@onlevel.com.

Juliet balcony, 2-part complete set, Reveal Mounting



Height	500 mm	700 mm	900 mm	1000 mm	1100 mm	1200 mm
Rubber set for	Art. no.	Art. no.	Art. no.	Art. no.	Art. no.	Art. no.
10 - 11 mm	16.2005.010.10	16.2007.010.10	16.2009.010.10	16.2010.010.10	16.2011.010.10	16.2012.010.10
12 - 13.5 mm	16.2005.012.10	16.2007.012.10	16.2009.012.10	16.2010.012.10	16.2011.012.10	16.2012.012.10
15 mm	16.2005.015.10	16.2007.015.10	16.2009.015.10	16.2010.015.10	16.2011.015.10	16.2012.015.10
16 - 17,5 mm	16.2005.016.10	16.2007.016.10	16.2009.016.10	16.2010.016.10	16.2011.016.10	16.2012.016.10
19 mm	16.2005.019.10	16.2007.019.10	16.2009.019.10	16.2010.019.10	16.2011.019.10	16.2012.019.10
20 - 21.5 mm	16.2005.020.10	16.2007.020.10	16.2009.020.10	16.2010.020.10	16.2011.020.10	16.2012.020.10



SKYFORCE SIDE | EXTERIOR MOUNT | COMPONENTS

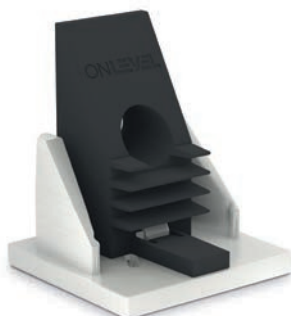
Juliet balcony, screw-on profile, left and right, Reveal Mounting



| Sales unit: 1 piece

Model SF	Mill finish	Plain aluminium	Coloured
Length	Art. no.	Art. no.	Art. no.
5000	16.2150.005.10	16.2150.005.11	16.2150.005.13/16/18

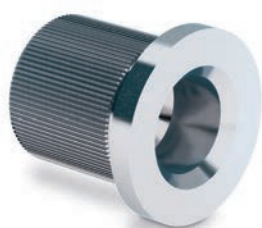
Juliet balcony, Endcap, left and right, Reveal Mounting



| Sales unit: 4 pieces

Model SF	Mill finish	Plain aluminium	Coloured
	Art. no.	Art. no.	Art. no.
	16.9001.020.10	16.9001.020.11	16.9001.020.13/16/18

Juliet balcony, Encap Mounting Bolt



| Sales unit: 10 pieces

Model SF	V4A
	Art. no.
	16.9004.020.30

SKYFORCE SOUND SHIELD

Surface finish code for your Skyforce order

- .10 Aluminium, mill finish
- .11 Aluminium, anodised
- .13 RAL glossy (minimum order quantity 5 units)
- .16 RAL structured matt (minimum order quantity 5 units)
- .18 RAL matt (minimum order quantity 5 units)
- .16sb RAL structured matt in Stealth Black colour (minimum order quantity 5 units)

Example: You order your 16.1009.010.**16** profile and receive it with “structured matt” surface finish and a colour of your choice. If you’d like to learn more about our colour structures, you can order one of our colour charts – Art. No.: 85.7003.001.00 at info@onlevel.com.

Juliet balcony, 2-part complete set, sound insulation



| What a noise! Luckily, there is Soundshield by ONLEVEL. Simply mount it in front of your window and enjoy heavenly quiet.

SKYFORCE TOP

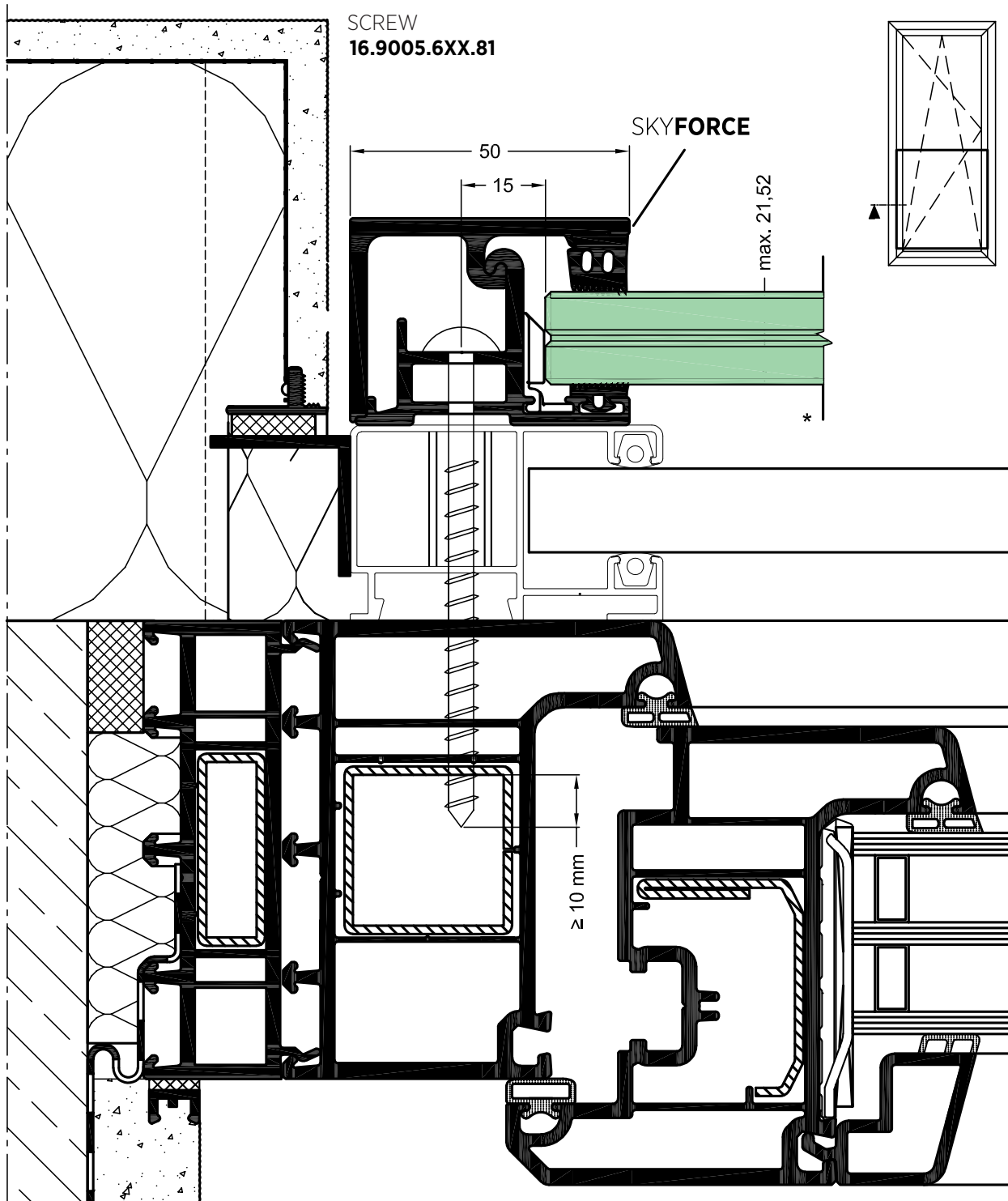
Height	2000 mm	2500 mm	3000 mm
Rubber set for	Art. no.	Art. no.	Art. no.
10 - 11 mm	16.1020.010.xx	16.1025.010.xx	16.1030.010.xx
12 - 13.5 mm	16.1020.012.xx	16.1025.012.xx	16.1030.012.xx
15 mm	16.1020.015.xx	16.1025.015.xx	16.1030.015.xx
16 - 17,5 mm	16.1020.016.xx	16.1025.016.xx	16.1030.016.xx
19 mm	16.1020.019.xx	16.1025.019.xx	16.1030.019.xx
20 - 21.5 mm	16.1020.020.xx	16.1025.020.xx	16.1030.020.xx

SKYFORCE SIDE

Height	2000 mm	2500 mm	3000 mm
Rubber set for	Art. no.	Art. no.	Art. no.
10 - 11 mm	16.2020.010.xx	16.2025.010.xx	16.2030.010.xx
12 - 13.5 mm	16.2020.012.xx	16.2025.012.xx	16.2030.012.xx
15 mm	16.2020.015.xx	16.2025.015.xx	16.2030.015.xx
16 - 17,5 mm	16.2020.016.xx	16.2025.016.xx	16.2030.016.xx
19 mm	16.2020.019.xx	16.2025.019.xx	16.2030.019.xx
20 - 21.5 mm	16.2020.020.xx	16.2025.020.xx	16.2030.020.xx

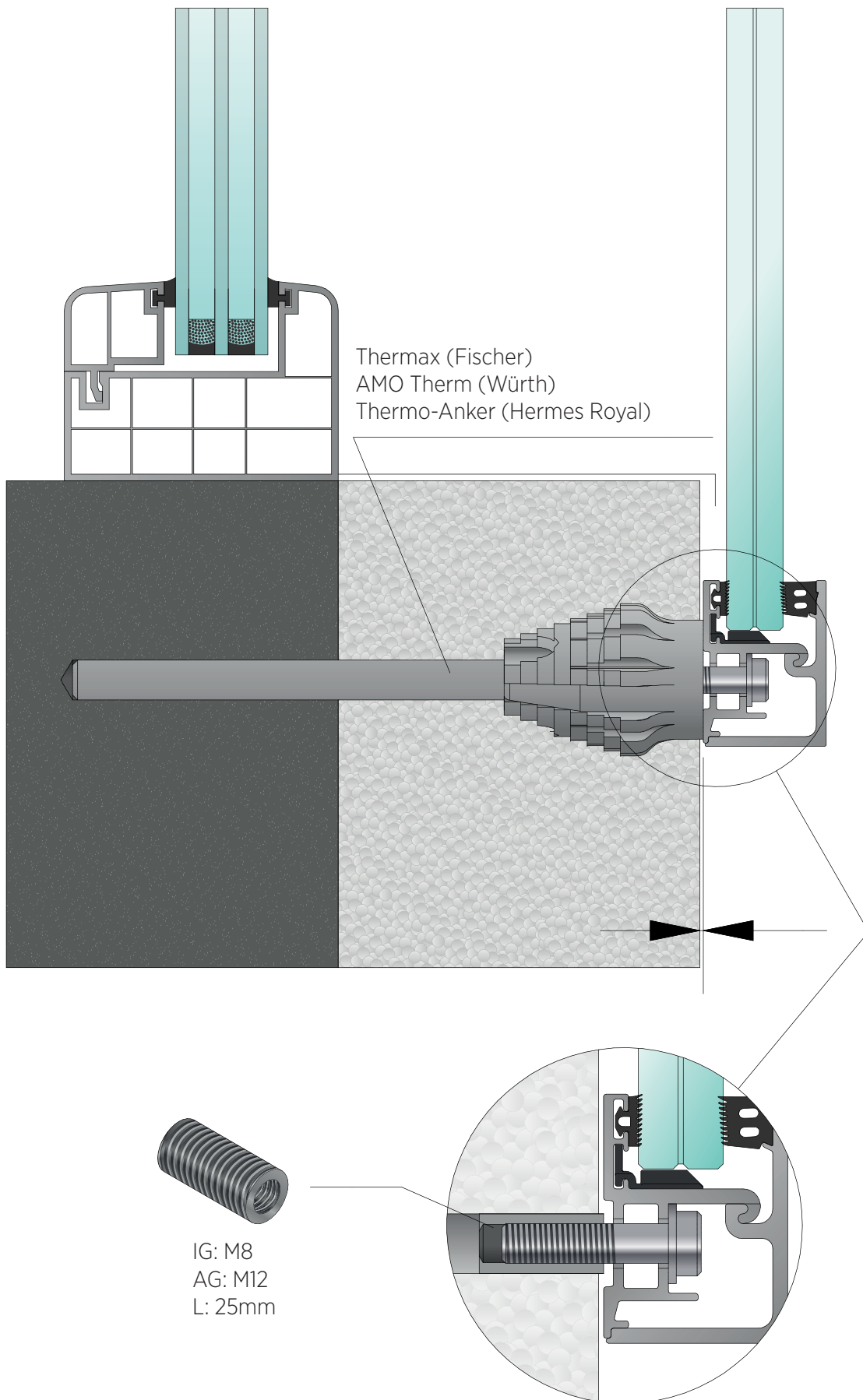
SKYFORCE | INSTALLATION EXAMPLE

Skyforce - Shutter Guide Profile Installation Example

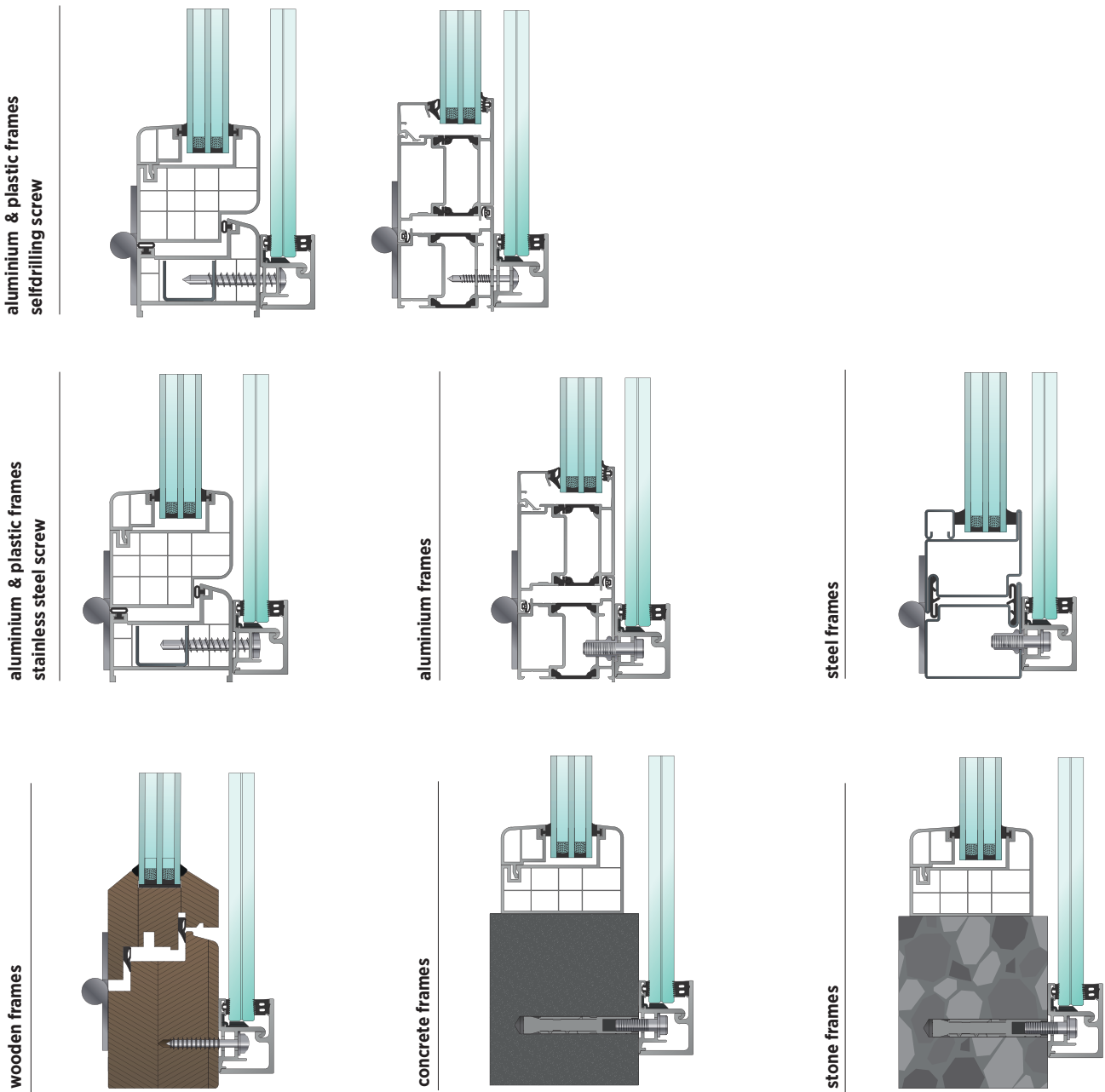


SKYFORCE | INSTALLATION EXAMPLE

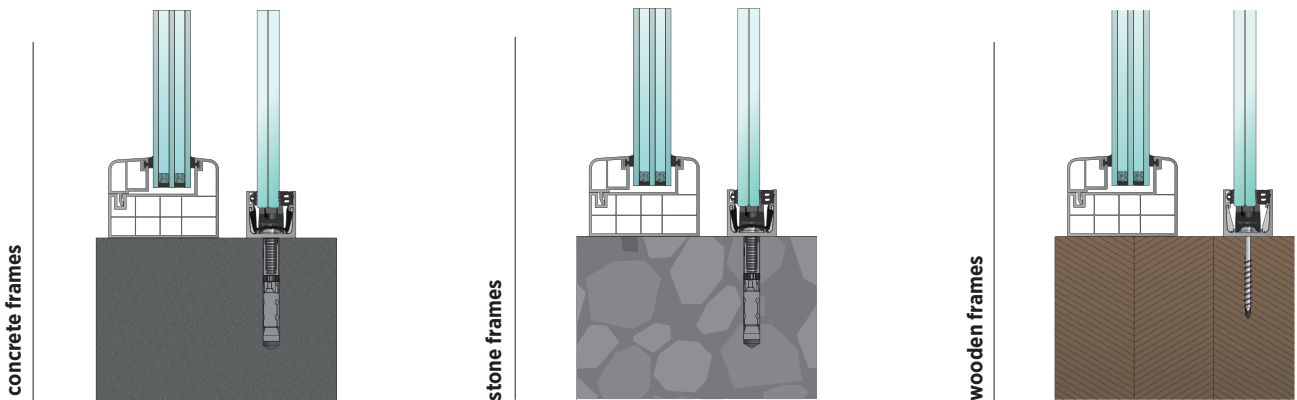
Skyforce - Thermal Insulation Installation Example



Application overview TOP Mount



Application overview SIDE Mount



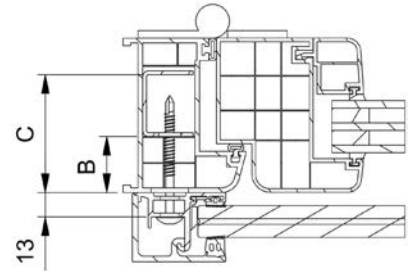
SKYFORCE | FIXING ANCHOR

Fixing screw, self-tapping for plastic frames with steel core & aluminium frame, top mount

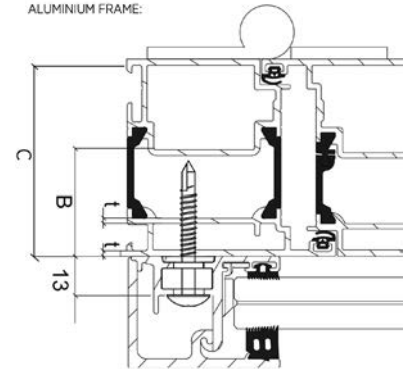


- | Plastic frame: The screw needs a 1.5 mm steel core in the frame profile.
- | Aluminium frame: The screw needs two walls with "t" total ≥ 3.2 mm
- | Aluminium frame: Screw length max. 45 mm
- | Sales unit: 12 pieces

PLASTIC FRAME:



ALUMINIUM FRAME:



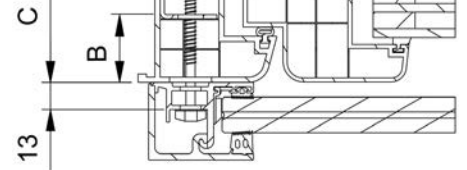
Model 9005		Zinc-plated steel	
Length	B	C (min.)	Art. no.
45 mm	0 - 14 mm	35 mm	16.9005.604.81
55 mm	15 - 24 mm	45 mm	16.9005.605.81
65 mm	25 - 34 mm	55 mm	16.9005.606.81
75 mm	35 - 44 mm	65 mm	16.9005.607.81
85 mm	45 - 54 mm	75 mm	16.9005.608.81
95 mm	55 - 64 mm	85 mm	16.9005.609.81
105 mm	65 - 74 mm	95 mm	16.9005.610.81
125 mm	75 - 94 mm	115 mm	16.9005.612.81
150 mm	95 - 120 mm	140 mm	16.9005.615.81

Refer to the test report for the number of fixings.

Stainless steel fixing screw for plastic frames with steel core & aluminium frame, top mount



- | $\varnothing 6.3$
- | The anchors are not self-tapping and must be pre-drilled
- | Aluminium frame: Screw length max. 50 - 82 mm
- | Finish exterior application: V4A (outside)
- | Sales unit: 12 pieces



Model 9005		V4A (outside)	
Length	B	Art. no.	
50 mm	0 - 25 mm	16.9012.605.20	
64 mm	25 - 40 mm	16.9012.606.20	
75 mm	40 - 50 mm	16.9012.607.20	
82 mm	50 - 55 mm	16.9012.608.20	
92 mm	55 - 65 mm	16.9012.609.20	
102 mm	65 - 75 mm	16.9012.610.20	
115 mm	75 - 90 mm	16.9012.611.20	

SKYFORCE | FIXING ANCHOR

Fixing anchor for aluminium frames, Top Mount

- | Finish exterior application: V4A (exterior)
- | Sales unit: 10 pieces



Model 9006	V4A (exterior)
Art. no.	
16.9006.835.30	

Fixing anchor for steel frames, Top Mount

- | Finish exterior application: V4A (exterior)
- | Sales unit: 10 pieces



Model 9008	V4A (exterior)
Art. no.	
16.9008.835.30	

Fixing anchor for concrete frames, Top Mount

- | Finish exterior application: V4A (exterior)
- | Sales unit: 10 pieces



Model 9009	V4A (exterior)
Art. no.	
16.9009.835.30	

Fixing anchor for stone frames, Top Mount

- | Finish exterior application: V4A (exterior)
- | Sales unit: 10 pieces



Model 9010	V4A (exterior)
Art. no.	
16.9010.835.30	

SKYFORCE | FIXING ANCHOR

Fixing anchor for wooden frames, Top and Side Mount

- | Finish exterior application: V4A (exterior)
- | Ø 6 x 60 mm
- | Sales unit: 10 pieces



Model 9007	V4A (exterior)
Art. no.	
16.9007.660.30	

Fixing anchor for aluminium and steel frames, Side Mount

- | Finish exterior application: V4A (exterior)
- | Sales unit: 10 pieces



Model 1190	V4A (exterior)
Art. no.	
91.1190.812.30	

Fixing anchor for concrete frames, Side Mount

- | Finish exterior application: V4A (exterior)
- | Sales unit: 10 pieces



Model 9029	V4A (exterior)
Art. no.	
16.9029.835.30	

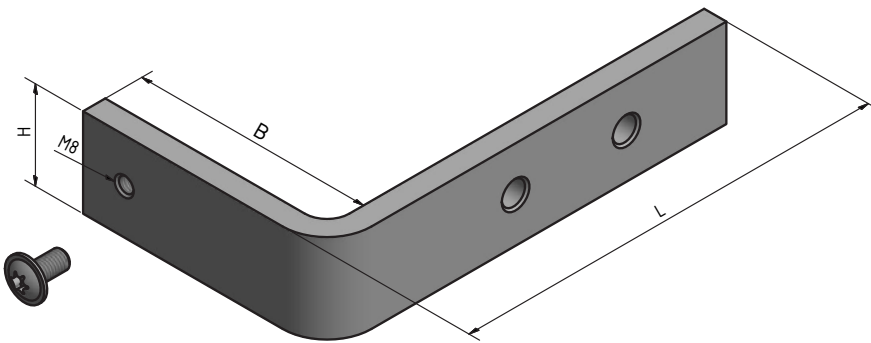
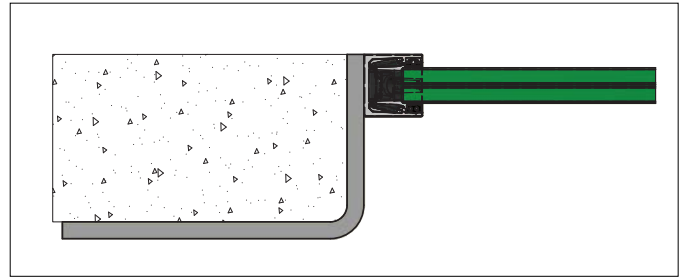
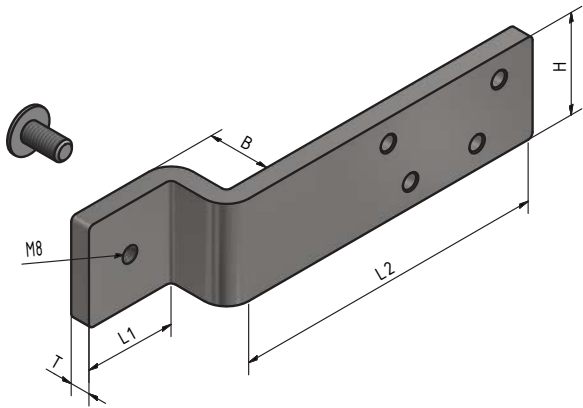
Fixing anchor for stone frames, Side Mount

- | Finish exterior application: V4A (exterior)
- | Sales unit: 10 pieces

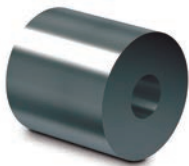


Model 9020	V4A (exterior)
Art. no.	
16.9020.835.30	

Skyforce Side - Aluminium and Steel Installation Example



Distance Sleeve for Fixing Anchor



- | Diameter: 16 mm
- | Aluminium
- | Sales unit: 10 pieces

Model 9320	black anodised	Coloured
Length	Art. no.	Art. no.
10.5 mm	16.9320.010.15	16.9320.010.13/16/18
16 mm	16.9320.016.15	16.9320.016.13/16/18
20.5 mm	16.9320.020.15	16.9320.020.13/16/18

Assembly tool Skyforce



- | Mounting aid for rubber seal
- | Sales unit: 1 piece

Model 0100	
Art. no.	
	90.0100.105.00

Boor Stopper Skyforce



| For drill diameters Ø 4 - 10 mm
| Sales unit: 1 piece

Model 0100	
Art. no.	
	90.0100.106.00

Rivet Tool Skyforce



| Lever riveting tools for Skyforce blind rivets
| Sales unit: 1 piece

Model 0100	
Art. no.	
	90.0100.140.00

Mounting block Skyforce



| M8
| Zinc
| Sales unit: 12 pieces

Model 9035	white	black
Art. no.	Art. no.	Art. no.
	16.9035.000.91	16.9035.000.92

Edge protection, self-adhesive, V4A brushed



| Height 6 mm
| Thickness 1 mm
| Compatible with PVB films
| Sales unit: 1 piece

Model 2111		1000 mm	1500 mm	2000 mm	3000 mm	4000 mm
Width	for glass thickness	Art. no.	Art. no.	Art. no.	Art. no.	Art. no.
14	10,76 - 11,52 mm	12.2111.141.31	12.2110.141.31	12.2112.141.31	12.2113.141.31	12.2114.141.31
16	12,76 - 13,52 mm	12.2111.161.31	12.2110.161.31	12.2112.161.31	12.2113.161.31	12.2114.161.31
20	16,76 - 17,52 mm	12.2111.201.31	12.2110.201.31	12.2112.201.31	12.2113.201.31	12.2114.201.31
24	20,76 - 21,52 mm	12.2111.241.31	12.2110.241.31	12.2112.241.31	12.2113.241.31	12.2114.241.31
28	25 - 25,52 mm	12.2111.281.31	12.2110.281.31	12.2112.281.31	12.2113.281.31	12.2114.281.31

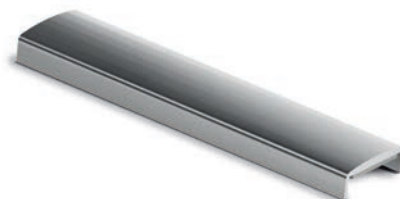
Edge protection, self-adhesive, aluminium plain



| Height 7 mm
| Thickness 1 mm
| Compatible with PVB films
| Sales unit: 1 piece

Model 2111		1000 mm	1500 mm	2000 mm	3000 mm	4000 mm
Width	for glass thickness	Art. no.	Art. no.	Art. no.	Art. no.	Art. no.
14	10,76 - 11,52 mm	11.2111.141.10	11.2110.141.10	11.2112.141.10	11.2113.141.10	11.2114.141.10
16	12,76 - 13,52 mm	11.2111.161.10	11.2110.161.10	11.2112.161.10	11.2113.161.10	11.2114.161.10
20	16,76 - 17,52 mm	11.2111.201.10	11.2110.201.10	11.2112.201.10	11.2113.201.10	11.2114.201.10
24	20,76 - 21,52 mm	11.2111.241.10	11.2110.241.10	11.2112.241.10	11.2113.241.10	11.2114.241.10
28	25 - 25,52 mm	11.2111.281.10	11.2110.281.10	11.2112.281.10	11.2113.281.10	11.2114.281.10

Edge protection, self-adhesive, aluminium mill finish



| Height 7 mm
| Thickness 1 mm
| Compatible with PVB films
| Sales unit: 1 piece

Model 2111		1000 mm	1500 mm	2000 mm	3000 mm	4000 mm
Width	for glass thickness	Art. no.	Art. no.	Art. no.	Art. no.	Art. no.
14	10,76 - 11,52 mm	11.2111.141.11	11.2110.141.11	11.2112.141.11	11.2113.141.11	11.2114.141.11
16	12,76 - 13,52 mm	11.2111.161.11	11.2110.161.11	11.2112.161.11	11.2113.161.11	11.2114.161.11
20	16,76 - 17,52 mm	11.2111.201.11	11.2110.201.11	11.2112.201.11	11.2113.201.11	11.2114.201.11
24	20,76 - 21,52 mm	11.2111.241.11	11.2110.241.11	11.2112.241.11	11.2113.241.11	11.2114.241.11
28	25 - 25,52 mm	11.2111.281.11	11.2110.281.11	11.2112.281.11	11.2113.281.11	11.2114.281.11

Edge protection, self-adhesive, aluminium RAL



| Height 7 mm
| Thickness 1 mm
| Compatible with PVB films
| Sales unit: 1 piece, Minimum order quantity 5 units

Model 2111		1000 mm	1500 mm	2000 mm	3000 mm	4000 mm
Width	for glass thickness	Art. no.	Art. no.	Art. no.	Art. no.	Art. no.
14	10,76 - 11,52 mm	11.2111.141.xx	11.2110.141.xx	11.2112.141.xx	11.2113.141.xx	11.2114.141.xx
16	12,76 - 13,52 mm	11.2111.161.xx	11.2110.161.xx	11.2112.161.xx	11.2113.161.xx	11.2114.161.xx
20	16,76 - 17,52 mm	11.2111.201.xx	11.2110.201.xx	11.2112.201.xx	11.2113.201.xx	11.2114.201.xx
24	20,76 - 21,52 mm	11.2111.241.xx	11.2110.241.xx	11.2112.241.xx	11.2113.241.xx	11.2114.241.xx
28	25 - 25,52 mm	11.2111.281.xx	11.2110.281.xx	11.2112.281.xx	11.2113.281.xx	11.2114.281.xx

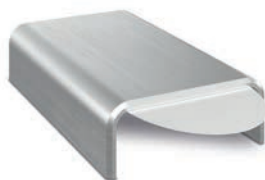
90° Edge protection, self-adhesive



| Height 7 mm
 | Thickness 1 mm
 | Compatible with PVB films
 | Sales unit: 1 piece

Model 2110		Mill finish	Plain aluminium	RAL Coloured
Width	for glass thickness	Art. no.	Art. no.	Art. no.
14	10,76 - 11,52 mm	11.2210.141.10	11.2210.141.11	11.2210.141.13/16/18
16	12,76 - 13,52 mm	11.2210.161.10	11.2210.161.11	11.2210.161.13/16/18
20	16,76 - 17,52 mm	11.2210.201.10	11.2210.201.11	11.2210.201.13/16/18
24	20,76 - 21,52 mm	11.2210.241.10	11.2210.241.11	11.2210.241.13/16/18
28	24 - 25,52 mm	11.2210.281.10	11.2210.281.11	11.2210.281.13/16/18

Connector Edge protection, self-adhesive



| Height 7 mm
 | Length 30 mm
 | Compatible with PVB films
 | Sales unit: 1 piece

Model 2200		Mill finish	Plain aluminium	RAL Coloured	V4A
Width	for glass thickness	Art. no.	Art. no.	Art. no.	Art. no.
16	10,76 - 11,52 mm	11.2200.141.10	11.2200.141.11	11.2200.141.13/16/18	12.2200.141.31
18	12,76 - 13,52 mm	11.2200.161.10	11.2200.161.11	11.2200.161.13/16/18	12.2200.161.31
22	16,76 - 17,52 mm	11.2200.201.10	11.2200.201.11	11.2200.201.13/16/18	12.2200.201.31
26	20,76 - 21,52 mm	11.2200.241.10	11.2200.241.11	11.2200.241.13/16/18	12.2200.241.31
30	24 - 25,52 mm	11.2200.281.10	11.2200.281.11	11.2200.281.13/16/18	12.2200.281.31

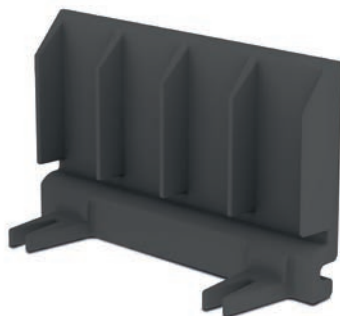
Juliet balcony, glass supports, Top Mount



| Accessorie for Top Mount
 | Sales unit: 50 pieces

Model 9002	Plastic
Art. no.	
16.9002.000.60	

Juliet balcony, glass stopper, Top Mount



| Accessorie for Top Mount
 | Sales unit: 100 pieces

Model 9003	Plastic
Art. no.	
16.9003.000.00	

Juliet balcony, glass stopper, Side Mount



| Accessorie for Side Mount
| Sales unit: 50 pieces

Model 9003	Plastic
Art. no.	
	16.9003.000.00

Glass sealing strip, Top and Side Mount



| For glass thickness 10 - 15 mm
| Sales unit: 81 pieces

Model 9102	Plastic
Length	Art. no.
25 mtr	16.9102.250.60

Glass sealing strip, Top and Side Mount



| For glass thickness 16 - 21,5 mm
| Sales unit: 1 pieces

Model 9101	Plastic
Length	Art. no.
25 mtr	16.9101.250.60

Glass sealing strip, Top and Side Mount



| For glass thickness 10 / 10,76 mm / 11,52 mm
| Sales unit: 1 piece

Model 9204	Plastic
Length	Art. no.
25 mtr	16.9204.250.60

Glass sealing strip, Top and Side Mount

| For glass thickness 12 / 12,76 / 13,52 / 19 mm
| Sales unit: 1 piece



Model 9202	Plastic
Length	Art. no.
25 mtr	16.9202.250.60

Glass sealing strip, Top and Side Mount

| For glass thickness 16.76 / 17,52 mm
| Sales unit: 1 piece



Model 9203	Plastic
Length	Art. no.
25 mtr	16.9203.250.60

Glass sealing strip, Top and Side Mount

| For glass thickness 15 / 20,76 / 21,52 mm
| Sales unit: 1 piece



Model 9201	Plastic
Length	Art. no.
25 mtr	16.9201.250.60



Regal Balustrades Ltd

Unit 7, Eagles Wood Business Park,
Woodlands Lane, Bradley Stoke,
Bristol, BS32 4EU

T: +44 117 935 3888

E: sales@regalbalustrades.co.uk

www.regalbalustrades.co.uk